

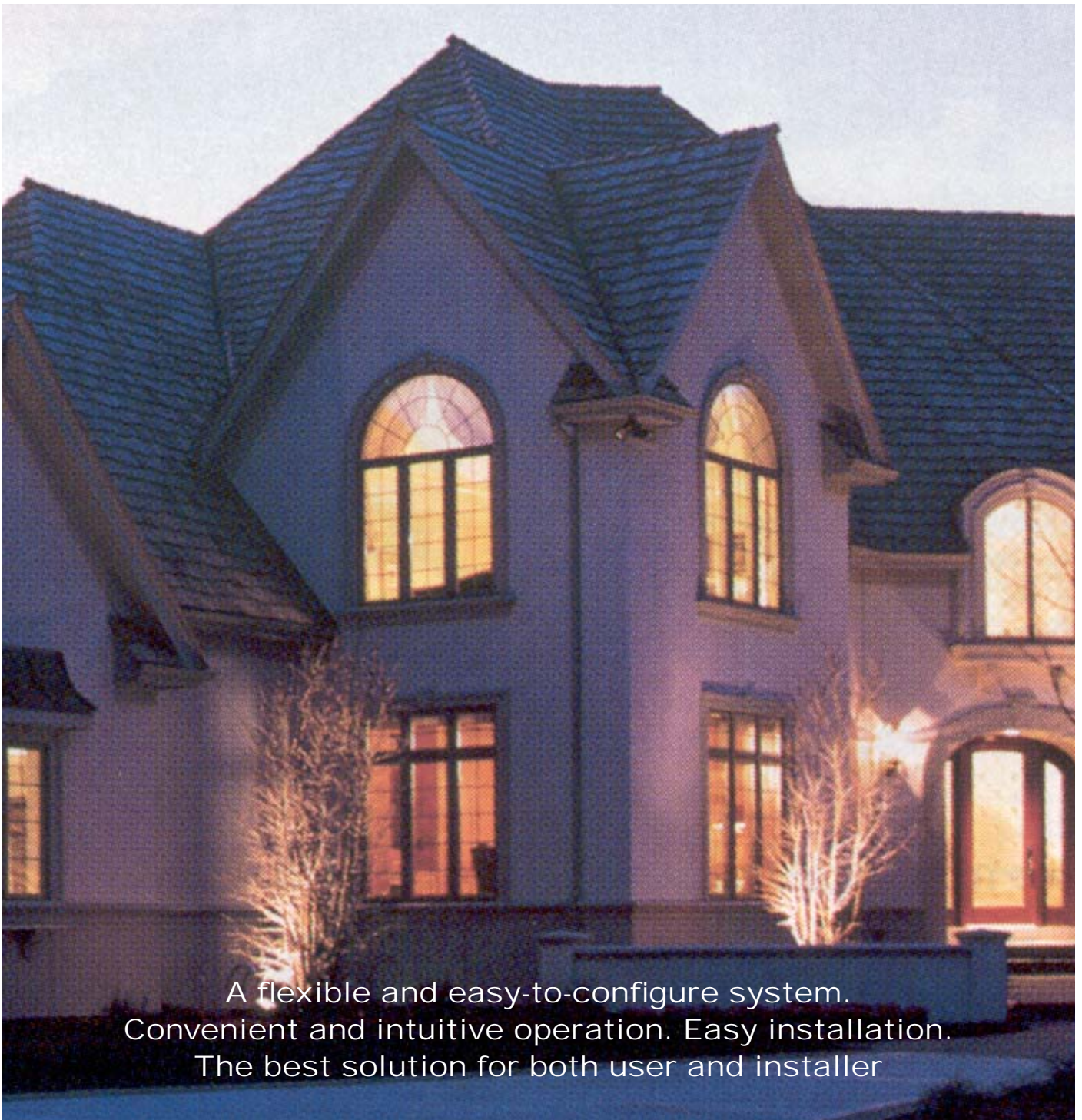
# SONELCO



SONIDO, ELECTRONICA Y COMUNICACIONES, S.A.

## D200 HOME AUTOMATION SYSTEM

A new range with extensive and comprehensive features.  
3 independent systems that can be installed separately or jointly.



A flexible and easy-to-configure system.  
Convenient and intuitive operation. Easy installation.  
The best solution for both user and installer

# D200 Home Automation System

A new range with extensive and comprehensive features.

Consists of 3 independent systems that can be installed separately or together:



## SECURITY

This system can be installed independently and informs the user of alarms or events with a siren or audible device, as well as by sending pre-programmed text messages. When combined with the audio installation, it sends an internal alarm through the system speakers. Possibility of microphone surveillance via telephone.

## AUDIO

System with PCD1310 controls, offering fully featured audio, intercom and security monitoring. Configure various musical, general and local scenarios. All system management is via remote control with no central control, only requires the installation of a power supply.

## HOME AUTOMATION AUDIO AND CONTROL

A system with all regulation and control functions on a single control unit (PCD1311), which can be installed in all areas or in only those required for home automation control devices. Can configure combined music, lights, curtains, motor scenarios. Audio control via PCD1310 can be installed for the rest of the system. Also does not require any central control, just a power supply. Installation of audio speakers is optional.

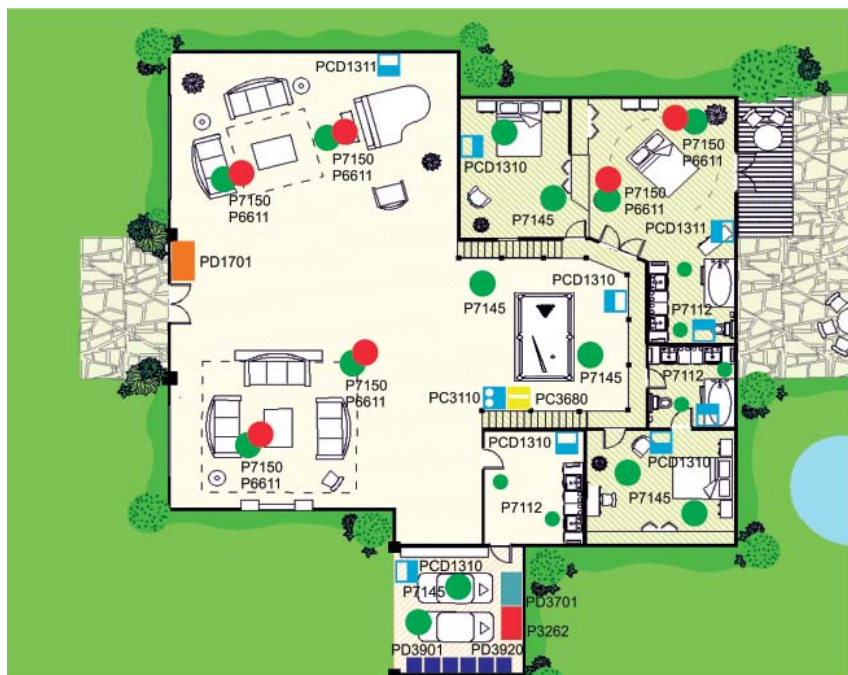
## INSTALLATION EXAMPLE

A home system including security, audio and automation features. There are 2 rooms (living room and master bedroom) with home automation controls and other rooms with audio controls.

The central security control, control modules and power supply are installed on a DIN rail. In the example, they have been placed in the garage, but could be installed in a panel at the entrance of the house or elsewhere. Intruder sensors or detectors are not included in the diagram, but may be the standard type (12-15V DC) connected to the central security control PD3701.

### Products included in this example:

- PD3701 Central Security Control
- PD1701 Auxiliary keyboard with graphic display
- P3262 Power Supply
- PCD1310 Control unit with audio and intercom functions
- PCD1311 Control unit with automation, audio and intercom functions
- PD3901 Dimmer for 2 lights
- PD3910 Control module for 2 motors/curtains
- PD3920 Control module with 4 inputs and 4 outputs
- PC3110 Input module for connecting auxiliary audio source
- PC3680 SD card MP3 player
- P6611 16 W Amplifier
- P7145 Speaker 4" 30W 80hm
- P7150 Speaker 4" 25W 40hm
- P7112 Speaker 2" 2W 80hm



## SECURITY - Intruder, utility and medical alarms



**PD3701- Security Central Control**

### INPUTS:

- INTRUDER: 6 zones connected to different sensors or standard circuits (12-15V DC).
- TAMPER: Security wiring facility.
- PANIC: Wireless panic or robbery alarm button.
- MEDICAL: connection to button, bathroom pull cord or radio receiver
- UTILITIES: 3 standard type inputs for fire detectors, gas and water leaks



### OUTPUTS (5A 230V relays)

- UTILITY ALARMS:
  - 2 outputs associated with standard valves to shut off the water or gas, in case of leak.
  - 1 output to activate a self-contained fire extinguisher system.
- AUXILIARY OUTPUTS: 2 auxiliary outputs for additional functions, such as connection and disconnection of an automatic garden sprinkler system and heating, activated by telephone.
- ALARM SIREN: 1 output to activate a siren or other device.

### INTERNAL ALARM OUTPUT

- If the central security control is combined with Sonelco automation remote controls, an internal alarm can be sounded through the speaker setup. The alarm level is adjustable on the remote controls. A display message indicates activation and type of alarm.

### TELEPHONE MESSAGES

- Incorporates a GSM transmitter to send text messages (up to 10 phone numbers) for events occurring at the facility. Includes external antenna.

### MICROPHONE

- To find out the type of event triggering the alarm (eg, intrusion, medical alarm, etc), the system activates built-in microphones on some of the controls after entering a code by phone.

### OTHER FEATURES

- The control panel includes a clock, which continues for a minimum of one week after a power failure.
- Output for external 12V DC battery, to maintain security control operation after a power failure. The security control includes an automatic load circuit for the external battery.
- Din rail installation (9 pc). Dimensions: 156 x 90 x 60mm (H x W x D).



**PD1701  
Auxiliary keyboard with graphic display**

### FEATURES

- For arming and disarming alarms in some or all zones.
- Activation of presence simulation and general scenarios (of lights, curtains, music, etc) in systems with Sonelco PCD1311 automation control.
- Graphic display has high brightness, in blue, with light intensity control.
- Recessed installation in P4901 panel, and wall-mounted with PM9016 accessory.
- Dimensions: 106 x 59 x 47mm (H x W x D).

*NOTE: The KM9200-01 trim frame included in the photo above is supplied separately.*

## AUDIO



### PCD1310 CONTROL UNIT

#### Audio, intercom, warnings and monitoring:

- 4-channel music: 2 external channels, an auxiliary input (iPad, MP3, etc) and 30-memory FM stereo tuner.
- Digital control - ideal sound - Independent volume memory for each channel – Superbass - Bass, treble and balance - 4 EQ (Jazz, Classic, Pop, Rock) - Programmable Sleep function.
- System On/Off from any control.
- 1.5 +1.5W Power RMS at 8Ohm.
- Microphone for all or separate areas (up to 200) - Activated manually or by remote control – Response manual or automatic (hands-free) – Do-not-disturb function - Audio alert level adjustable.
- Electronic monitoring (for hearing babies, sick relations, etc from other rooms)
- Clock alarm - Musical or beep sound, independent programming for each day of the week.
- Graphic display, high-brightness, blue, with light intensity control.
- Dimensions: 45 x 45 x 45mm - Universal box installation, links with most electrical devices.
- 4 local scenarios: each scenario includes all values assigned to different audio settings (volume, tone, channel, station, etc).
- 8 general scenarios (for whole system).
- Manual or automatic with independent programming for each day of the week.

### Personal music

The PCD1310 control has an auxiliary input for connecting an external audio source, such as an iPhone, computer, iPad, MP3, etc. It also includes a local tuner. This means that each user can hear their own music, from both the audio source itself and the incorporated tuner, as well as from the 2 common system channels.



### Remotely activated microphone

The P4804 remote control can open/close the PCD1310 remote microphone for general calls and calls to zones (up to 200).

This means that calls can be made and communication established without needing to be next to the control.

The “hands-free response” control gives added convenience to the system.



### Electronic monitoring

The monitoring system allows you to configure 1 or 2 system microphones to be open permanently or activated by voice control. This lets you hear what is happening from other points in the system. This feature is very useful for listening in on infants, infirm elderly people, from adjacent premises, etc.

## REMOTE CONTROL



P4804

#### Control of audio and home automation functions:

- Acts on PCD1310 - PCD1311 control units
- Controls all audio parameters
- Station search and recording by scan or by frequency
- Direct access to preset stations
- Selection of local scenarios
- Light control
- Motor control (curtains/awnings)
- Enables Do-not-disturb function
- Activates the microphone for local or general announcements.

## AUDIO + AUTOMATION CONTROL



### PCD1311 CONTROL UNIT

#### Audio, intercom, warnings and monitoring

This control has the same functions outlined on the previous page for PCD1310

#### Control of devices:

- Lights, curtains, awnings, motors, etc with PD3901 or PD3910 controllers. The PD3920 can control 4 other devices (garden sprinklers, heating, etc).
- 1 controller can act on all motors and/or lights, simultaneously, or on the modules associated with that controller.
- Motors or room lights can be controlled from multiple controllers installed on it.

#### Automated scenarios:

- A set combination of lights, music, curtains and motor parameters.
- 8 General factory pre-set scenarios can be modified by the user (for the entire system).
- Reset function to return to factory settings.
- 2 Presence simulation scenarios.
- 4 Local scenarios.
- Activation manual or automatic with weekly programming.

#### Security (installing PD3701 central control panel)

- Visual and acoustic signals of alarm type and zone.



#### Local scenarios

Local scenarios provide 4 combinations of music, lights and curtains in each room independently.

Users can easily create their own scenarios. For example: reading mode - with soft music, light over the sofa and curtains half-drawn; and awake mode - with lights on, curtains fully drawn and music on, etc.

#### General scenarios

General scenarios are based on independently-set combinations of music, lights and curtains for each room, for a 'general scenario' used throughout the whole house.

There are 8 pre-recorded factory scenarios, which can be modified by the user, giving multiple combinations. For example: everything off - for when you leave the house; everything on - on arriving at the office; at-home mode - with soft music on entering the house, light at the front door and in the living room, half-drawn curtains, etc.



#### Simulation scenarios

The system has 2 additional simulation scenarios to simulate presence in the house. Different functions can be programmed to activate at different times to give the impression the house is occupied.

## CONTROL MODULES



**PD3901**



**PD3910**



**PD3920**

### PD3901 PD3910 PD3920 Dimmer control lights: Motor controller: Input/output module:

With 2 control outputs to control 2 x 400W incandescent or halogen lights or groups of lights. To control up to 2 motors (curtains or awnings). With 4 inputs and 4 outputs for heating, lighting, garden sprinklers, etc. Supply voltage 16V DC. Supply voltage 16V DC. Consumption 50mA max. Consumption 100mA max. Consumption 200mA max. Adjustable power 2x400W. Motor consumption max 2x8A at 250V AC. Consumption max. outputs 4x12A at 250V AC.

## POWER SUPPLY



**P3262**

- Power supply 4A 16V DC.
- Installation: DIN-rail (9 pc).
- Dimensions: 155 x 85 x 58mm
- There are other power source models available. See the Sonelco general catalogue.

## AUDIO ACCESSORIES

There is a wide range of additional SONELCO products for the system.

### INPUT MODULES

Sonelco have other modules available for processing external sound sources (PC3110) or for playback of pre-recorded SD cards (PC3680).

Delivers sound to both general channels in the system with PCD1310 and PCD1311 home automation controllers.



### SPEAKERS, Baffles, Amplifiers, ETC.

A complete range for any type of facility



## OTHER CONTROL UNITS



**PCP1275**

Audio controller that can be combined in zones that do not require intercom or automation control.

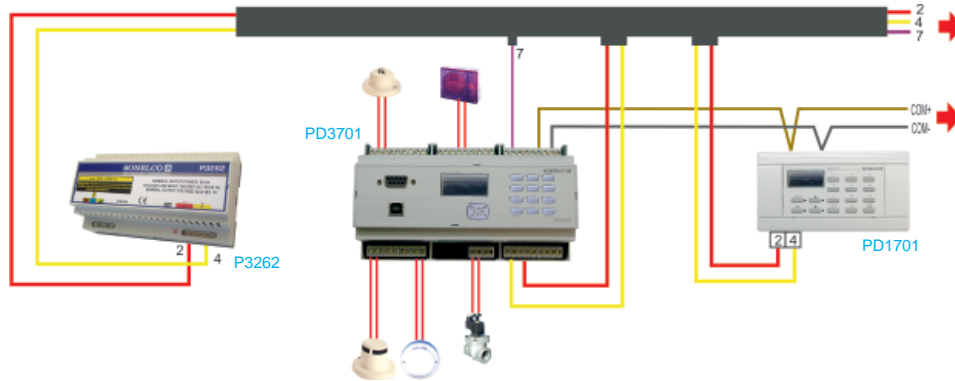
#### Audio:

- 4-channel music: 2 external channels, an auxiliary input (iPad, MP3, etc) 30-memory FM stereo tuner.
- Digital control - ideal sound - Independent volume memory for each channel – Superbass - Bass, treble and balance - 4 EQ (Jazz, Classic, Pop, Rock)
- Programmable Sleep function.
- 1.5 +1.5W Power RMS at 8Ohm.
- Clock alarm - Musical or beep sound, independent programming for each day of the week.
- Graphic display, high-brightness, blue, with light intensity control.
- R receiver for P4804 remote control.
- Dimensions: 45 x 45 x 45mm - Universal box installation, links with most electrical devices.

For more information on installing other accessories and components, consult the SONELCO general catalogue

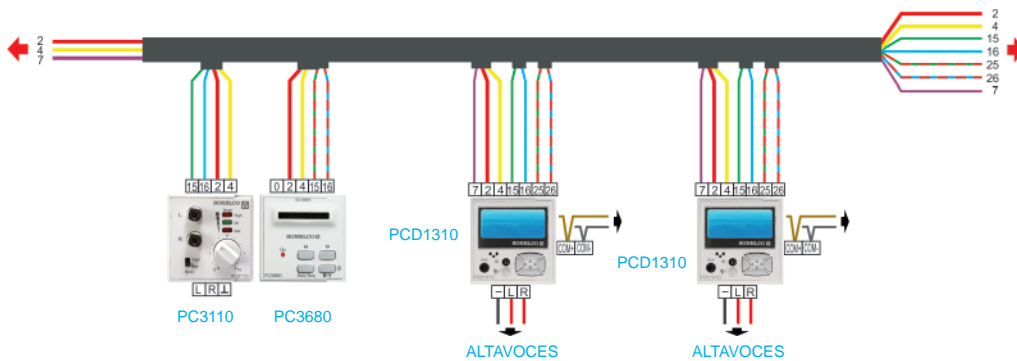
## SECURITY

System with PD3701 central security controller connected to various sensors, switches and valves. Includes auxiliary keyboard PD1701 to arm/disarm the system from a more accessible location if the controller is inside a panel. The voice audio (cable 7) and communication bus (cable C+C-) are connected should the central controller have audio or home automation control components attached (see diagrams below). The source P3262 (cables 2 and 4) feed all system modules, as well as the devices from the diagrams below



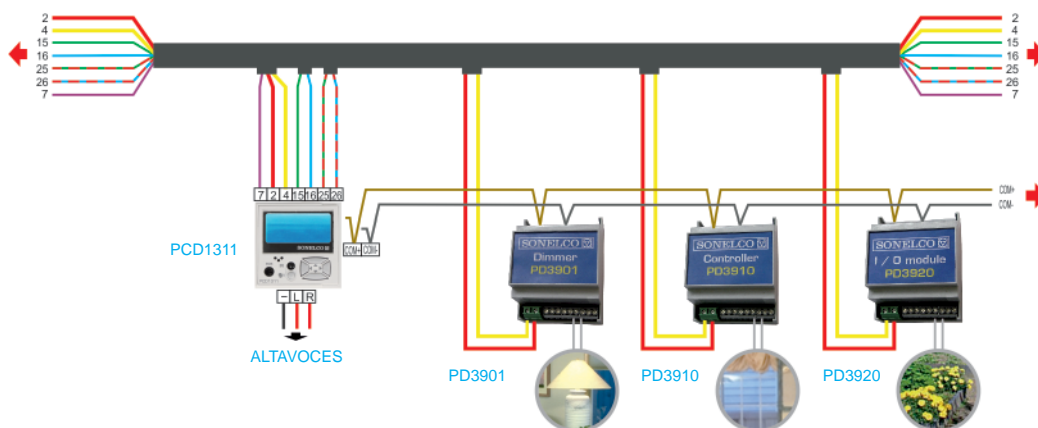
## AUDIO

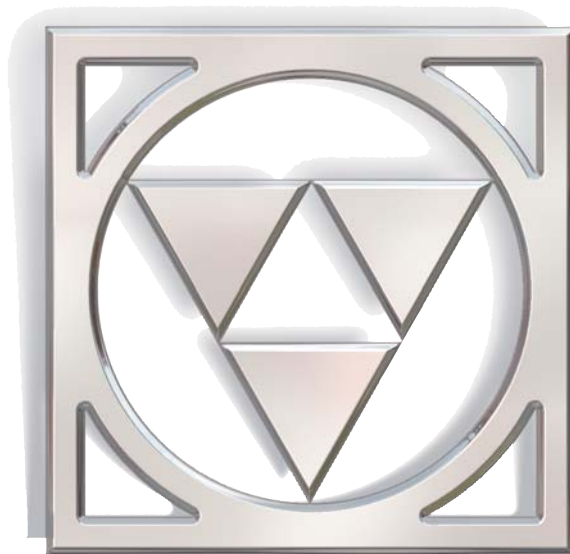
System with 2 centralised audio channels (cables 15, 16, 25 and 26), which are supplied by the input module PC3110 (which connects to any audio source) and by the PC3680 MP3 player. The rooms have PCD1310 controllers which add 2 music channels (FM tuner and auxiliary input). The controller output is 8Ohm, allowing direct connection with many Sonelco speaker models.



## AUDIO + HOME AUTOMATION CONTROL

The PCD1311 controller controls the different light regulation modules (PD3901), curtains (PD3910) and input/output modules (PD3920). The example below has a module for each, but any number can be installed. The controller modules can be connected to industry standard buttons for quick access to controlling lights and curtains.





**SONIDO, ELECTRONICA Y COMUNICACIONES, S.A.**

**Address: c/. Africa, 1 - 3  
50007 ZARAGOZA - Spain  
Tels. 902 259 135 - 976 259 125 - Fax: 976 373 775  
Email: [export@sonelco.com](mailto:export@sonelco.com)  
[www.sonelco.com](http://www.sonelco.com)**