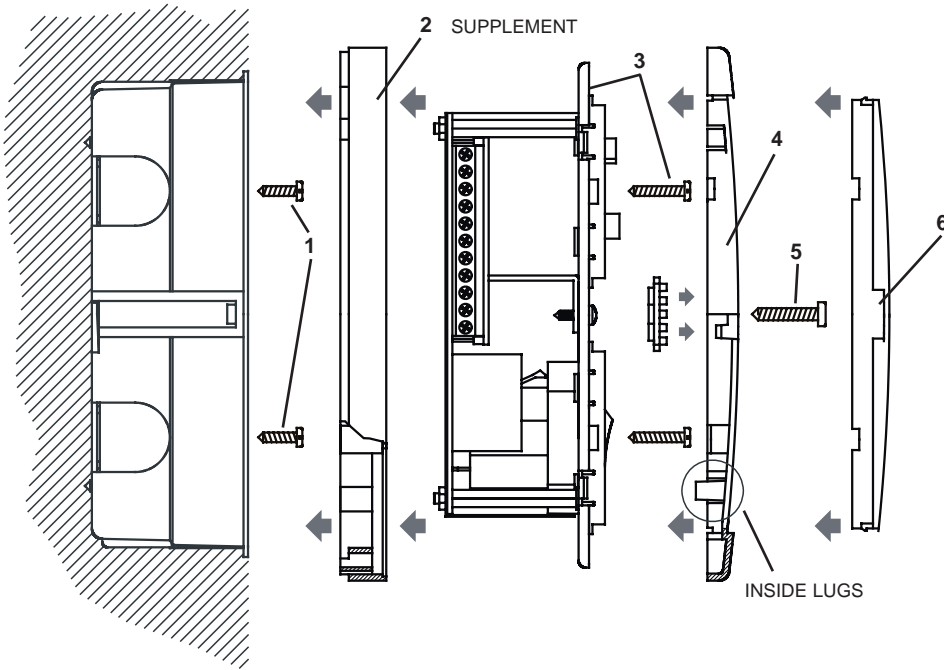


4FA017002

DOUBLE FRONT PLATE + SUPPLEMENT - KM9211

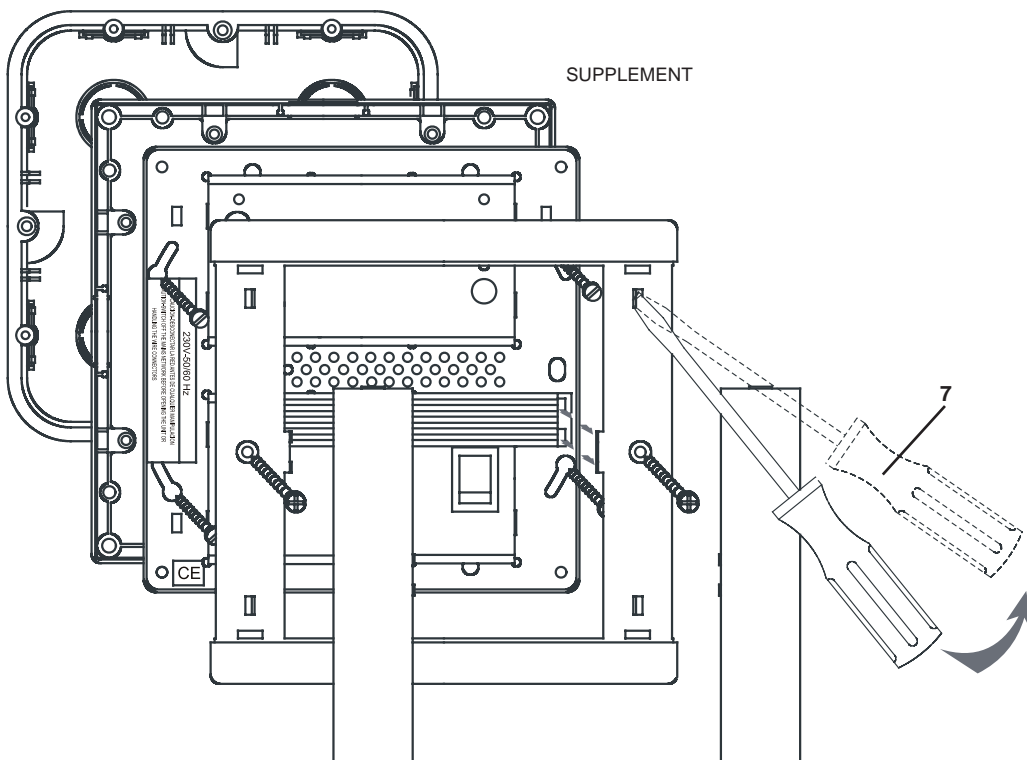
MODELS: KM9211-01 (White) KM9211-02 (Charcoal grey) KM9211-03 (Two-tone)

In the installation of main units and power supplies, it is recommended to place the furnished supplement.
 With that an additional depth of 12 mm. is got over the flush box. It makes easier the mounting and provides higher ventilation.
 In order to mount the supplement correctly:



SIDE VIEW

- 1 - The 4 screws of the flush box must be removed.
- 2 - Then the supplement has to be placed between the box and the main unit.
- 3 - Next the connections are made, and the main unit is fixed to the wall with the 4 supplied screws (longer than the removed from the box).
- 4 - Place to the front plate on the mounting metal frame and press. If the mounting metal frame has no holes to fix there the 4 lugs which are in the inside of the front palte, then break the lugs and fix the front plate directly.
- 5 - Plate the inside screws.
- 6 - Put the side covers.



OVERALL VIEW

To dismantle the front plate just lever up with a screwdriver on the lugs in the inside of the front plate, as is shown in the figure 7