

## POWER SUPPLY UNIT P3262 - P3263

MODELS: P3262 (230Vac) P3263 (115Vac)

4FA020001



- 1 - Power supply unit
- 2 - Ignition LED
- 3 - Installation supply strips
- 4 - Mains connecting strips

### DESCRIPTION

Switched 60 VA power supply unit to install on DIN rail, designed to make installation more flexible if used in combination with the PC3110 input modules and with the PC3810 telecontrol module for external audio source.

It can be used in any system:

- To supply the system in combination with one or several PC3110 audio input modules.
- For systems that only use the SONECCO Prestige series tuners as sound sources.
- As a power supply unit for any type of Prestige Line system

### GENERAL CHARACTERISTICS

- Power supply unit to install on DIN rail
- Mains connection by screwed strips.
- Rated mains voltage 230V (Optional 115V on order) 50/60Hz.
- Permanent connection to mains (no switch)
- Output voltage indicator LED.
- 60W maximum power
- Stabilised and regulated 16V output voltage
- Output protected against short circuits
- Internal mains input protection fuse
- EC marking (UNE-EN60065 and CEM)

### CONNECTION

The power supply unit will be installed in an electric distribution box on a standardised 35 mm wide rail, according to standard DIN/EN50022.

The connection to the 220/230V electricity supply mains will be made with at least 1 sq.mm. section wires and double insulation.

Sonecco recommends installing a specific general switch for the sound installation. (See installation example).

### TERMINALS:

- F- Phase (220/230 V AC)
- N- Neutral (220/230 V AC)
- ⊕ Earth (protection conductor)
- 2- Positive - 16 rated V DC / 4 A maximum voltage output
- 4- Negative - Signal and supply ground



**IMPORTANT NOTE:** Before connecting this unit to the electricity supply mains the general switch of that system must be disconnected in order to make the connection with due safety guarantees. Under no circumstances must the unit be manipulated outside its flushmount box if connected to the alternating current network. Make sure that the Unit has been correctly connected to earth..

**CONNECTION TO MAINS:** screw the power and earth cables to the N, F and Earth strips.

**CONNECTION TO LINE:** (See diagram). Connect cables of lines 2 and 4 following the order indicated for the terminals, making sure they are tightly connected.

### Start-up:

Once the unit has been installed, connect the general switch of the system to provide the unit with power and verify that the ON LED (2) comes on..

### OPERATION INCIDENTS

**Warning:** Any operations to the unit must only be carried out by specialised technical personnel and with the general switch of the audio system disconnected.

#### A - LED 2 (ON) DOES NOT COME ON WHEN THE ON/OFF SWITCH IS ACTIVATED

- 1- Verify the existence of mains voltage, and the correct connection of the power cables.
- 2- Disconnect strip 2,4. If the LED comes on, the unit is correct, indicating a short circuit in the supply output (2,4). The wiring must be reviewed.

#### B- THE (ON) LED FLASHES ON AND OFF.

- 1- The unit enters protected mode due to excess load in its supply terminals. Review the system wiring and the number of modules connected to this unit. The maximum power that the unit can supply may have been exceeded.

## TECHNICAL CHARACTERISTICS

### SUPPLY:

Operation: 180-264 V AC / 50-60Hz for P3262

92-132 V AC / 60-60 Hz for P3263

Maximum power: 60 VA

Voutput: regulated between 16 V ± 5%

## INSTALLATION EXAMPLES

FIG. 1 – CENTRALISED INSTALLATION WITH 4 STEREO CHANNELS

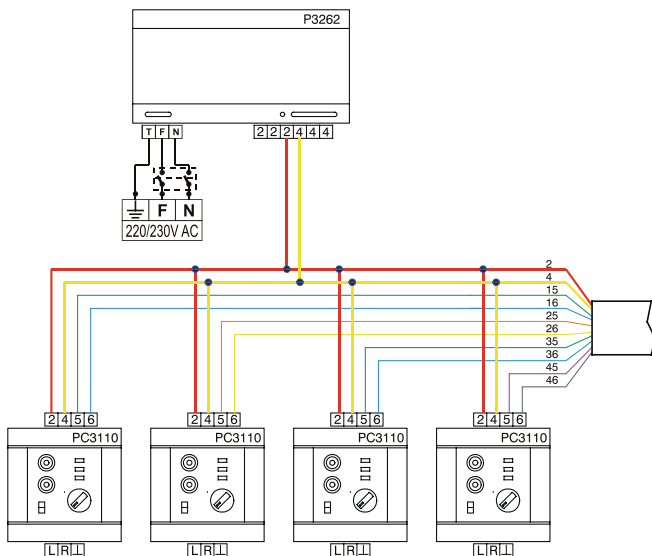


FIG. 2 – CENTRALISED INSTALLATION WITH 2 STEREO CHANNELS (ONE EXTERNAL CHANNEL + TUNER PC3666) WITH TELECONTROL MODULE PC3810

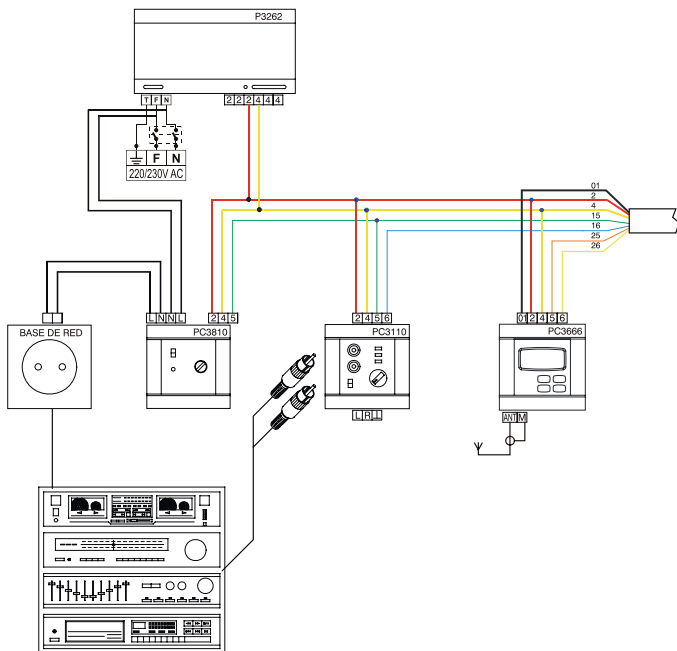


FIG. 3 – CENTRALISED INSTALLATION WITH 1 STEREO CHANNEL CONNECTION OF LOCAL TUNER/CONTROL PC1271

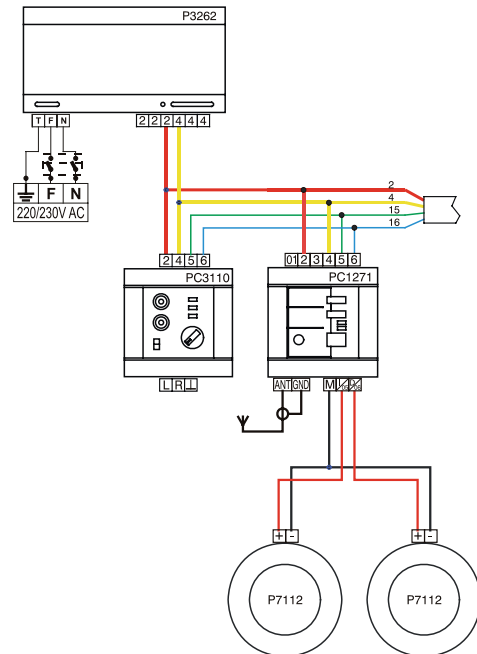
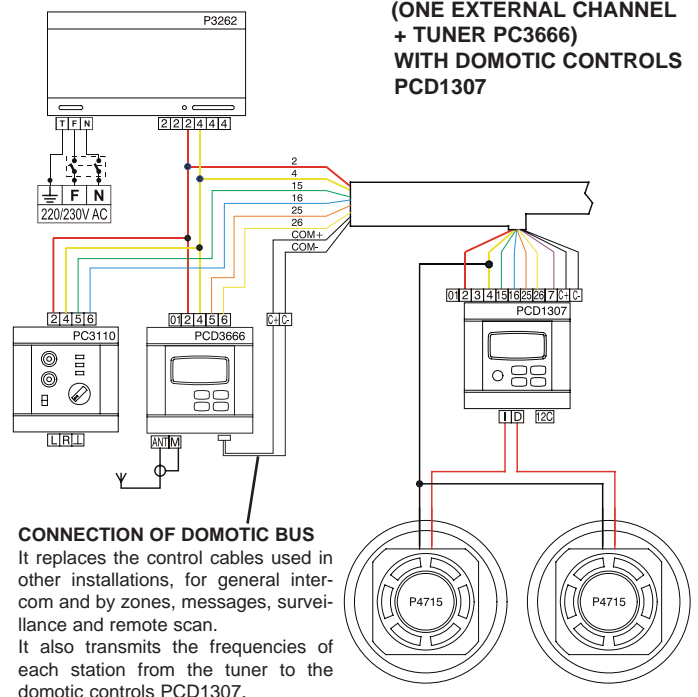


FIG. 4 – CENTRALISED INSTALLATION WITH 2 STEREO CHANNELS (ONE EXTERNAL CHANNEL + TUNER PC3666) WITH DOMOTIC CONTROLS PCD1307



### CONNECTION OF DOMOTIC BUS

It replaces the control cables used in other installations, for general intercom and by zones, messages, surveillance and remote scan.

It also transmits the frequencies of each station from the tuner to the domotic controls PCD1307.



## INSTALLATION RECOMMENDATIONS

In the Sonelco General Diagrams, you will find connection diagrams and recommended cable sections for the audio installation. Do not place this product in damp places, close to heat sources or in potentially explosive atmospheres.

The connection to the electricity mains supply, installation, cable section, and wire laying will be done according to the specific directives and standards of each country.

Sonelco recommends installing a specific general switch for the sound system. (See installation example).

Sonelco declines any responsibility that might be derived from the improper use of the product or installation that does not comply with the recommendations.