

DESCRIPTION

This Kit allows adapting the 8 ohm. P4712 (8") and P4715 (4") loudspeakers to any 100V line installation. The power of the loudspeaker-transformer unit can be selected: 1, 2, and 3 W.

ASSEMBLY ON 4" LOUDSPEAKER - P4721

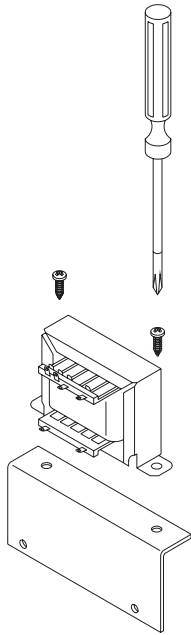


Fig. A

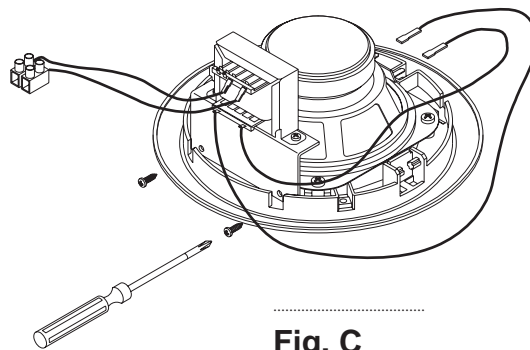


Fig. C

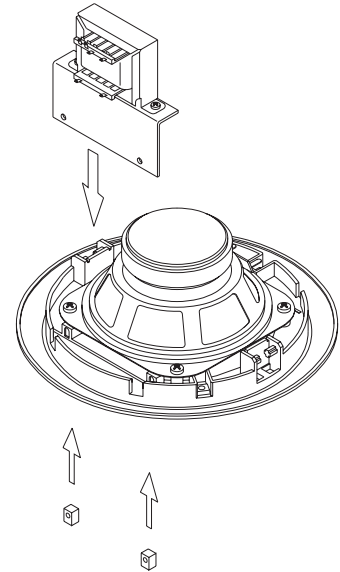


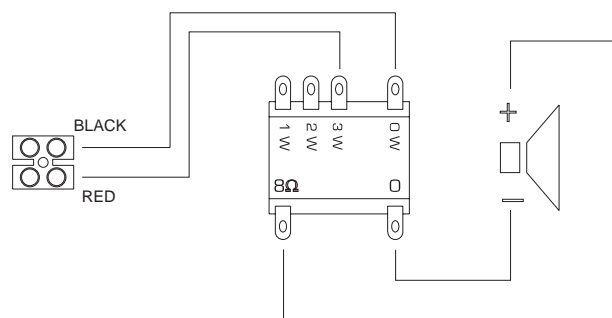
Fig. B

4" LOUDSPEAKER ASSEMBLY

1. - Place the transformer on the bracket, as shown in figure A.
2. - Place the transformer-bracket unit in the slot indicated in figure B. At the same time, place the ABS fixing bolts in the corresponding housing of the grid embellisher.
3. - Screw down the transformer – bracket as shown in figure C

CONNECTION

The drawing shows the connection for a 3 W power supply. If you wish to use a different power supply, connect the red cable to the transformer terminal of the corresponding power.



DETAILS OF THE TRANSFORMER CONNECTION

ASSEMBLY ON 8" LOUDSPEAKER - P4720

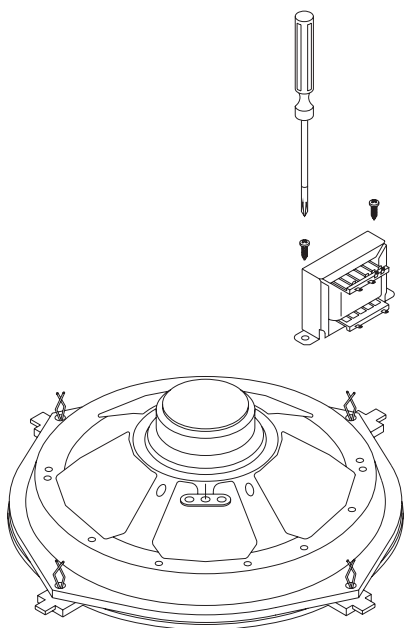


Fig. A

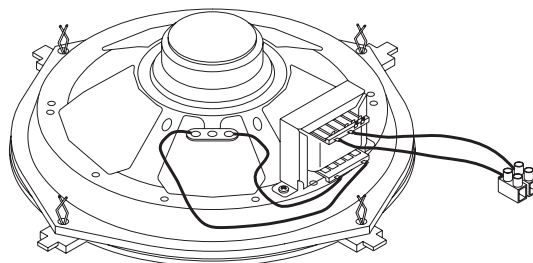


Fig. B

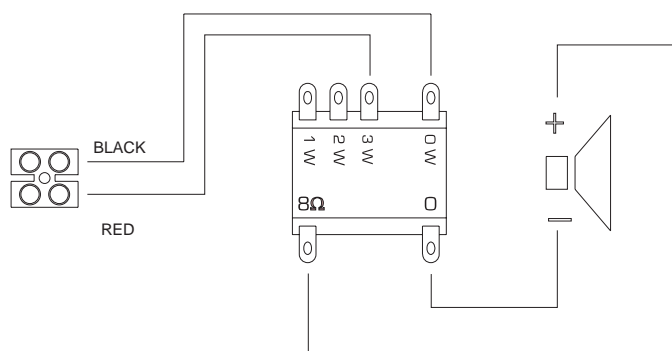
8" LOUDSPEAKER ASSEMBLY

1. - Place the transformer on the loudspeaker chassis, as shown in figure A.

NOTE: The fixing is by means of just one screw. If you wish to install another screw you should drill a 2.75 mm hole in the loudspeaker chassis, taking the loudspeaker as a reference.

CONNECTION

The drawing shows the connection for a 3 W power supply. If you wish to use a different power supply, connect the red cable to the transformer terminal of the corresponding power.



DETAILS OF THE TRANSFORMER CONNECTION