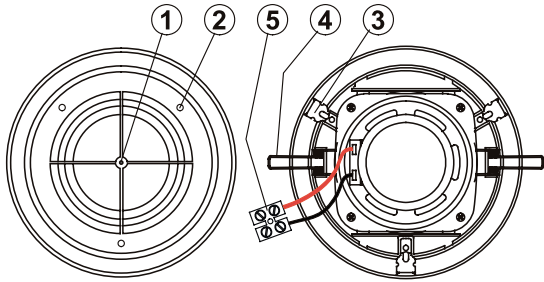


4FA015201

4" LOUDSPEAKER, 7W - P4715 / P4715AH / P4716 / P4718

MODELS: P4715-P4715AH (8 Ohm), P4716 (16 Ohm), P4718 (32 Ohm)



- 1- Central fastening for grille
- 2- Screws to tightened holding clamps
- 3- Holding clamps
- 4- Fastening springs
- 5- Connecting strip

For flush-mount installation: $\varnothing 145$ mm hole.
Minimum required depth: 60 mm.



DESCRIPTION

4"/7 W (max. 15W) speaker assembly (8 to 32 Ohm. depending on models), mounted on a white plastic body, with possibility of adapting different grille centres and trims. It can be mounted with springs or clamps.

CONNECTION

STRIP TERMINALS:

Red wire terminal - Input +
Black wire terminal - Input -

TECHNICAL CHARACTERISTICS

4" Speaker

Impedance :
 - P4715 (8 Ohm)
 - P4715AH (8 Ohm) **model includes anti-humidity protection**
 - P4716 (16 Ohm)
 - P4718 (32 Ohm)

Rated power : 7 W RMS, Max. power : 15 W RMS

Frequency response : 130 - 15 KHz

Sound pressure level : 87 db/ 1W, 1m.

Flush-mount hole diameter : $\varnothing 145$ mm

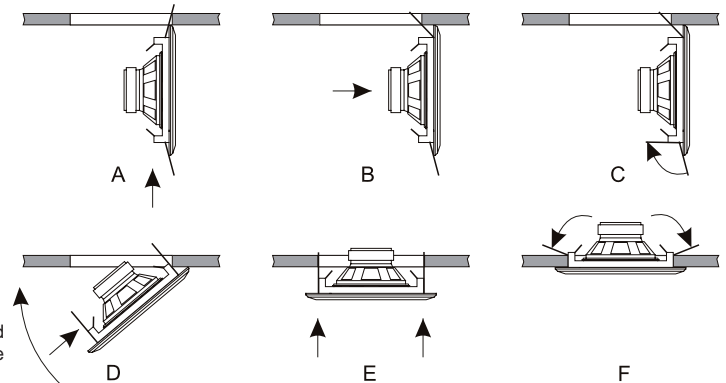
Dimensions : $\varnothing 174 \times 62$ mm

Weight : 380 g.

INSTALLATION METHODS

1 - WITH SPRINGS. Installation with springs is especially recommended for all sorts of hollow ceilings (false ceilings, modular ceilings, etc...), where there is a false ceiling depth of at least 60 mm. Diameter of recess hole: 145 mm. First, place the springs onto their supports, as shown in the figure and attach the ceiling speaker to its corresponding wires.

- A - Insert one of the springs into the hole for recessing.
 - B - Move the ceiling speaker sideways until the spring is taut.
 - C - Push the other spring, with your hand, towards the rear end of the speaker, guiding it towards the hole.
 - D - Still pressing on the spring with your hand, turn the ceiling speaker until you manage to insert the end of the second spring into the hole.
 - E - Once the end of the spring has been inserted inside the hole, stop pressing it with your hand and now gently push the speaker upwards.
 - F - The springs will open up, securing the speaker against the ceiling.
- If you later wish to remove the speaker from the ceiling, just pull gently sideways and downwards until the end of the spring comes out. Press it with one hand in order to prevent it from opening forcefully, and continue pulling downwards until it is totally extracted..

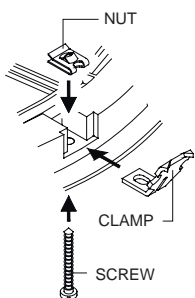


2 - WITH CLAMPS.

Installation with clamps is recommended for recessable casing mod.P4904 for solid ceilings, or for hollow ceilings in which the use of springs is not possible, usually due to the ceiling's thickness.

Before installing the speaker, it is necessary to mount the clamps onto the supports, connecting them with the corresponding wires. In order to secure the ceiling speaker with the clamps, just insert the speaker inside the hole (sometimes it may be necessary to loosen the clamp's tightening screws a little) and tighten the screws so that the clamps open up, securing the ceiling speakers. It is recommended that you tighten the three screws equally. If later you need to remove the speaker, just loosen the screws and the speaker will come out.

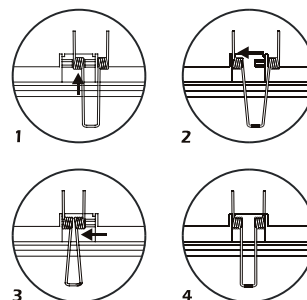
FITTING THE CLAMPS ONTO THE GRILLE



Place the clamp in its recess, insert the screw through the grille and clamp and screw the rectangular retaining nut onto the end of the screw. Tighten the nut until it is level with the grille, allowing the clamp some freedom of movement.

Repeat the process with the two other clamps and run the rubber band around the ends of the three clamps, so that they are tightly pressed against the inner part of the grille, thus facilitating the placement and removal of the grille in the hole.

FITTING THE SPRINGS IN THE GRID



Fit one end of the spring first, inserting it between both pins (1), and pressing inward, fit it on its pin, so that the free end of the spring fits inside the notch provided (2).

Repeat the process with the other end of the spring (3 and 4).

ADAPTABLE GRILLE CENTRES

Two different models of grille centres are available for these 4" active speakers, which are fastened in the centre with a screw and cap for the screw.

Mod. P4281 - Plastic material Mod. P4282 - Metal

In addition, as an option a metal trim ring can be fitted, which is secured between the grille centre and the active speaker. (See catalogue price list).