

RING ASSEMBLY WITH THE DIFFUSER

1 - PRIOR PREPARATION OF THE RING:

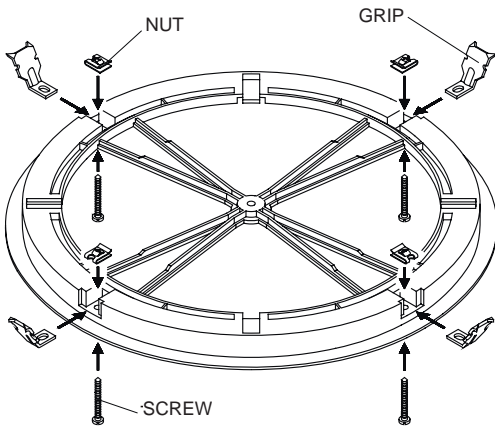


Fig. 1A

To fix the ring with the diffuser, all the elements making up the ring have to be previously assembled (fig. 1A and 1B)

Place the screw, grip and nut in the four ring holes, tightening the screws fully down as shown.

DETAIL OF THE SCREW, GRIP AND NUT

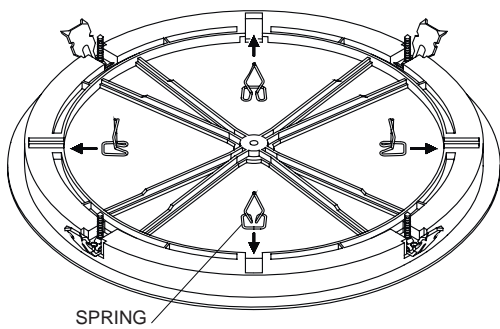
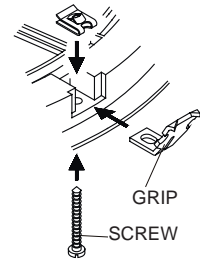
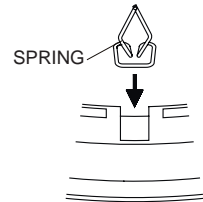


Fig. 1B

Place the four strings attached in the Ring slots to then fix the loudspeaker or the ceiling fixture on the same (see detail).

DETAIL OF THE PLACING OF THE SPRING



2 - FIXING THE RING WITH THE DIFFUSER:

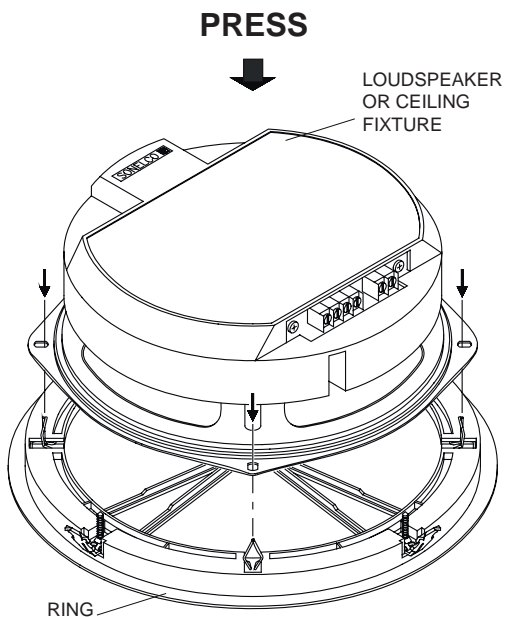


Fig. 2A

Before dismantling the cross piece including the ceiling fixtures or loudspeakers to be placed on the Built-in boxes model P4903, the Sound diffuser ring should be held and make the holes coincide with the springs; press in the direction indicated by Figure 2A.

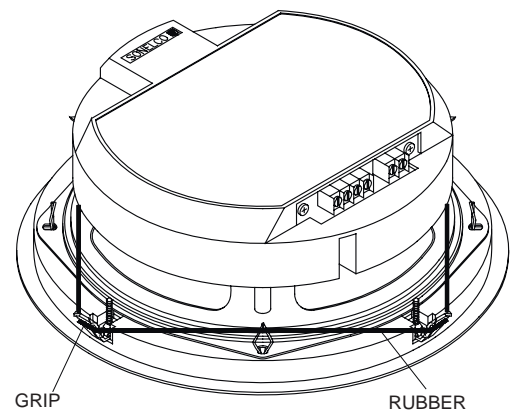


Fig. 2B

Place the rubber around the four anchoring grips to be able to recover the same when loosened (see Figure 2B).

PLACING THE GRID

3 - FIXING THE DIFFUSER IN THE HOUSING:

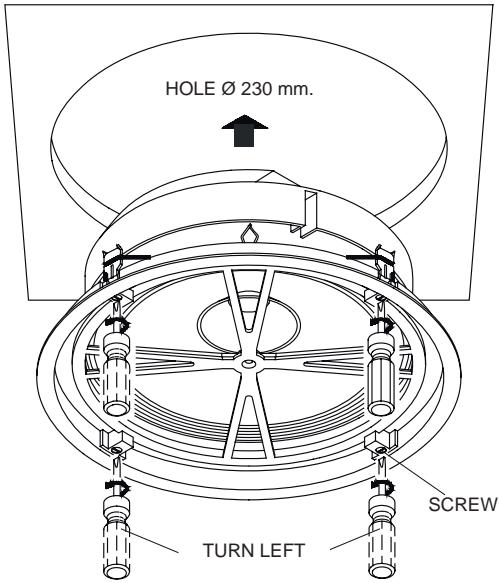


Fig. 3A

Make a 230 mm. diameter round hole to build in the Sound Diffuser.
To put the same in place, turn the four grips screws to the left until the diffuser unit fits the previously mentioned hole (Figure 3A)

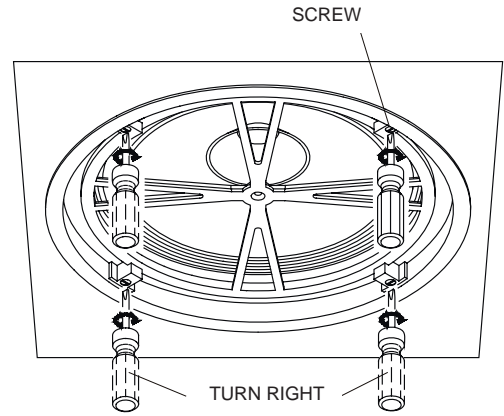


Fig. 3B

Press the housing down at the same time as the four previous screws are tightened to open the grips and anchor the diffuser (figure 3B) (try to obtain the same torque for each one)

4 - PLACING GRID MODEL P4961-62-63:

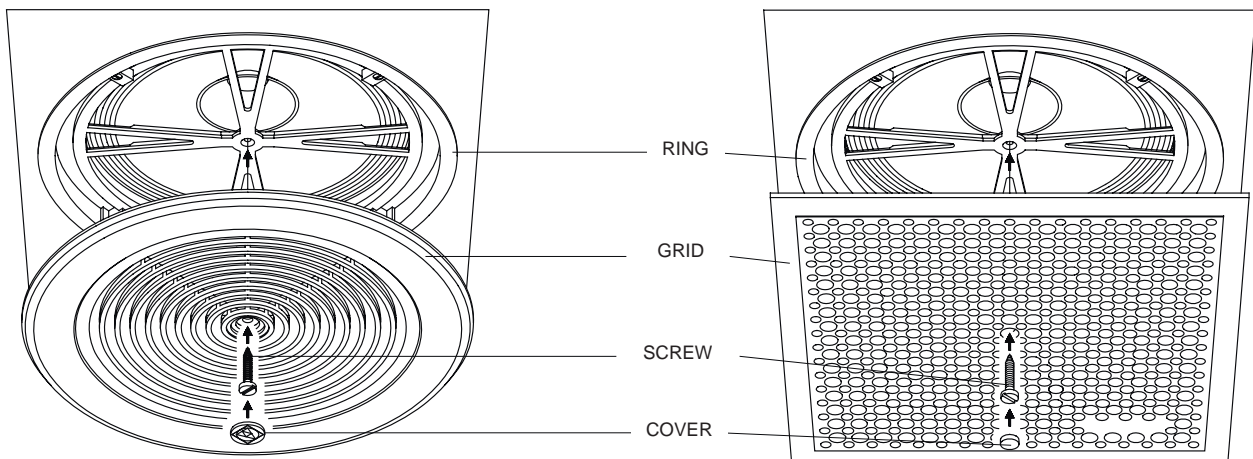


Fig. 4A

Fig. 4B

Screw the Grid with the Ring using the central hole of both of them. To finish, place the cover to hide the screw.
(Figure 4A - P4961, Figure 4B - P4962-63)