

1 – Connection terminal strip to 230V power supply.
 2 – Connection terminal strip with audio input and loudspeaker connection 3- cabling +/- for direct connection to loudspeaker. 4 - Potentiometer for the regulation of audio level

For built-in installation, use P4905 built-in box:
 - 145 mm hole.
 - Minimum depth needed: 85 mm.

DESCRIPTION

A unit consisting of a 16 W RMS mono loudspeaker and a power supply with direct connection to the 230V power supply network, allowing easy and simple installation.

GENERAL CHARACTERISTICS

- 25W and 16V DC power supply included
- 16V DC /200 mA power supply output for connection of other auxiliary modules.
- 16W / 4 Ohm (RMS) BTL audio output
- Less than 1% distortion
- ON/OFF control input

CONNECTIONS

The connection to the 220/230V power supply shall be carried out with 1 mm² diameter wires at least, with double insulation.

TERMINALS:

- L : Fhase (220/230V AC)
- N : Neutral (220/230V AC)
- ⊕ : Earth (protection conductor)
- 2 : Positive - 16V DC power supply output
- 3 : ON/OFF control input
- 4 : Negative – Supply mass
- 15 : Audio input signal
- ⊕ : Loudspeaker + output
- ⊖ : Loudspeaker - output

IMPORTANT NOTE: Before connecting this amplifier to the mains electricity power supply the Mains Switch should be disconnected in order to allow the connection with all the safety measures Under no circumstances should it be handled whilst connected to the power supply. Make sure that the earth connection is correct.

EASY INSTALLATION



The P6611 amplifier is directly installed on the SONECO 4" loudspeakers using an adhesive strap.



For the installation with 2", 5", 8" Loudspeakers or speakers, the amplifier can be installed separately.



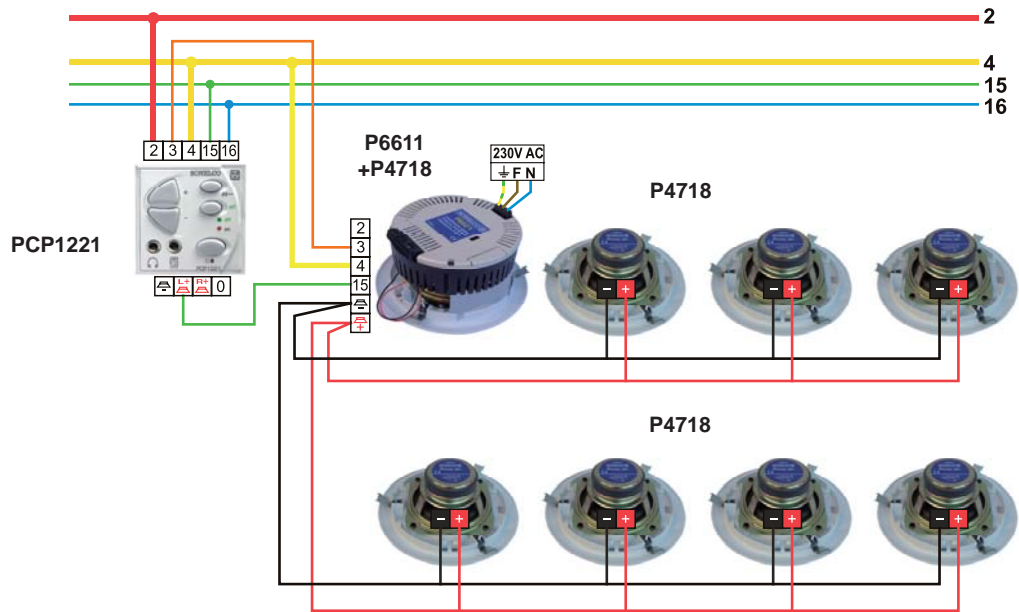
TECHNICAL CHARACTERISTICS

Nominal supply voltage: 230V AC
 Maximum power consumption: 150 mA.
 Stand-by consumption: < 40 mA
 Power: 16W /4 Ohm; d<1%
 Power: 10W /8 Ohm
 Signal/noise ratio: 58 dB's
 Response in frequencies: 25 Hz- 22 KHz (-3 dB)
 Sensitivity: 1.4 V
 2/4 terminal strip power: 200 mA – Voltage: 16V DC.
 3/4 terminal strip amplifier switching on: 12-16V DC.
 Thermal and surge protection in the audio outputs

Dimensions: Ø140 x 75 mm
Weight: 300 gr.

INSTALLATION EXAMPLES

INSTALLATION WITH CENTRALISATION



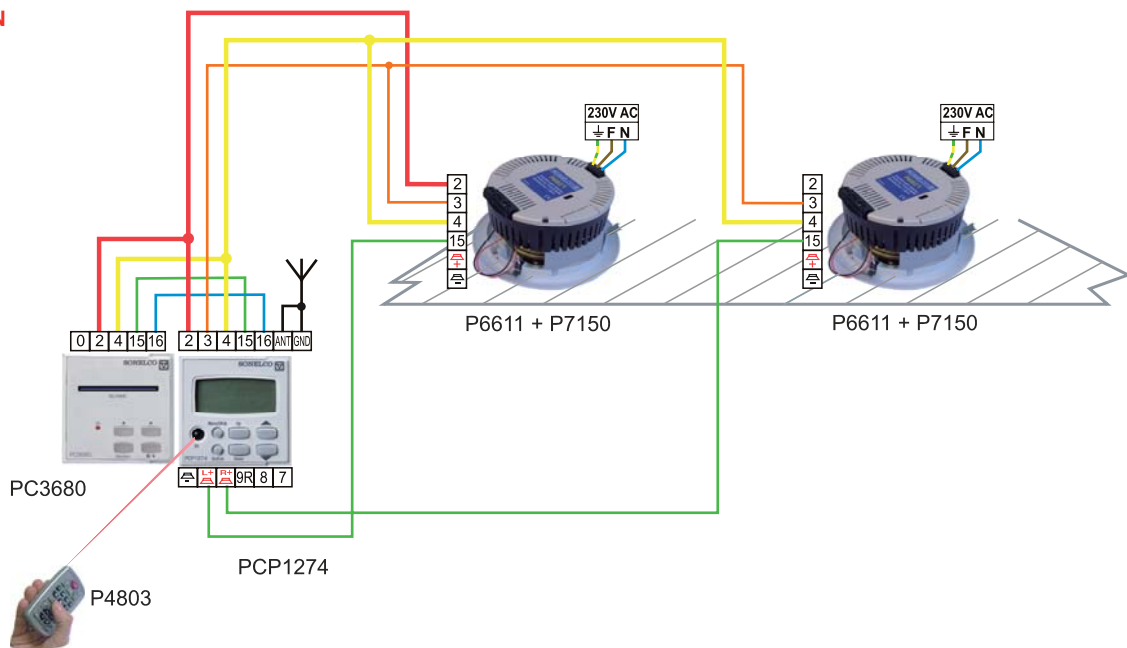
4" loudspeaker combinations with P6611 - 16W / 4 Ohm amplifier

	MODEL OF LOUDSPEAKER USED			
	P7150 (4Ω)	P7145 (8Ω)	P4716 (16Ω)	P4718 (32Ω)
Max. number of loudspeaker per amplifier	1	2 (*1)	4 (*2)	8
RMS power by loudspeaker	16 W	2 (*10) W	4 (*5) W	2 W

Note: (*) With a P7145 loudspeaker 10W will be obtained and with two P4716 loudspeakers, 5W per point. The connection shall be in parallel. In all the cases, the amplifier with loudspeaker can be installed built in the P4905 box or in a suspended ceiling.

These amplifiers can be installed with other types of SONELCO loudspeakers or speakers, the above combinations being valid, providing that they have the same impedances and the loudspeakers have the necessary power supply.

INDEPENDENT INSTALLATION



The P6611 and P6621 self-supplied amplifiers can be combined with audio sources such as PC3680 MP3 players, PCD3666, PC3664 tuners, PCP1274 controls with tuner or PC3110 input modules.

For the adjustment and control different types of controls or the P4803 remote control can be used by means of the PCP1274 control with tuner.