



- 1 – Connection terminal strip to 230V power supply. 2 – Connection terminal strip with audio input and loudspeaker connection 3- cabling +/- for direct connection to loudspeaker corresponding to left channel. 4 - Potentiometers for the regulation of audio level

For built-in installation, use P4905 built-in box:
 - 145 mm hole
 - Minimum depth needed: 85 mm

DESCRIPTION

A unit consisting of an 8 + 8 W RMS stereo loudspeaker and a power supply with direct connection to the 230V power supply network, allowing a simple installation.

GENERAL CHARACTERISTICS

- 25W and 16V DC power supply included
- 16V DC /200m A power supply output for connection of other auxiliary modules.
- 8 + 8W / 2 Ohm (RMS) BTL audio output
- Less than 1% distortion
- ON/OFF control input

CONNECTIONS

The connection to the 220/230V power supply shall be carried out with 1 mm² diameter wires at least, with double insulation.

TERMINALS

- L : Fase (220/230V AC)
- N : Neutral (220/230V AC)
- ⊕ : Earth (protection conductor)
- 2 : Positive - 16V DC power supply output
- 3 : ON/OFF control input
- 4 : Negative - Supply mass
- 15 : Left channel audio signal input
- 16 : Right channel audio signal input
- L : Left loudspeaker output
- R : Right loudspeaker output
- ⊕ : Loudspeaker common earth
- ⊕ : Loudspeaker common earth

EASY INSTALLATION



The P6611 amplifier is directly installed on the SONELCO 4" loudspeakers using an adhesive strap.



For the installation with 2", 5", 8" Loudspeakers or speaker, the amplifier can be installed separately.



TECHNICAL CHARACTERISTICS

Supply nominal voltage:: 230V AC
 Maximum power consumption: 160 mA.
 Stand-by consumption: < 40 mA
 Power: 8 + 8w /2 Ohm; d<1%
 Power: 5 + 5w /4 Ohm
 Signal/noise ratio: 50 dB's
 Response in frequencies: 25 Hz- 23 KHz (-3 dB)
 Sensitivity: 1.5 V
 2/4 terminal strip power: 200 mA – Voltage: 16V DC.
 3/4 terminal strip amplifier switching on: 12-16V DC.
 Thermal and surcharges protections in the audio outputs

Dimensions: Ø140 x 75 mm

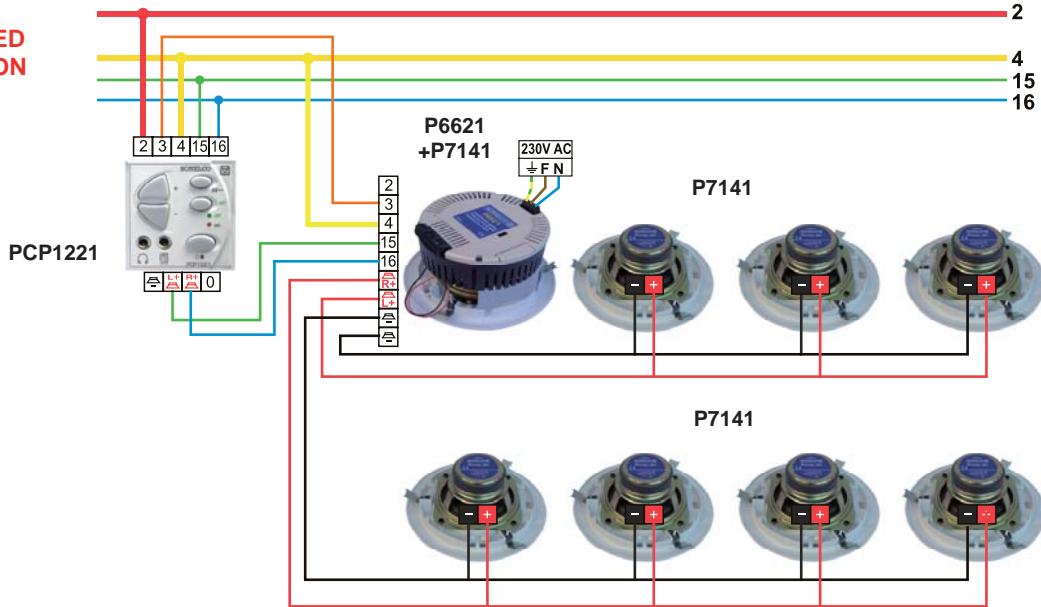
Weight: 300 gr.



IMPORTANT NOTE: Before connecting this amplifier to the Mains electricity power supply the Mains Switch should be disconnected in order to allow the connection with all the safety measures Under no circumstances should it be handled whilst connected to the power supply. Make sure that the earth connection is correct.

INSTALLATION EXAMPLES

CENTRALISED INSTALLATION



4" loudspeaker combinations with P6621 – 8+8w / 2 Ohm amplifier.

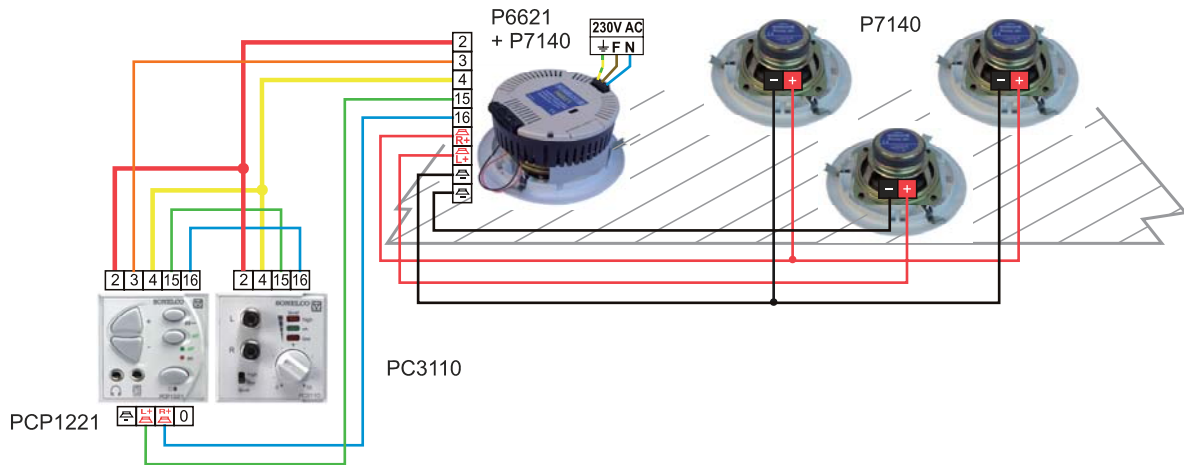
	MODEL OF LOUDSPEAKER USED			
	P7140 - P7150 (4Ω)	P4715 - P7141 (8Ω)	P4716 (16Ω)	P4718 (32Ω)
Max. number of loudspeaker per amplifier	4 (*2)	8	16	32
RMS power by loudspeaker	4 (*5) W	2 W	1 W	0,5 W

Note: (*) With two P7140 / P7150 loudspeakers 5W per point will be obtained. The connection shall be in parallel.

In all the cases, the amplifier with loudspeaker can be installed built in the P4905 box or in a suspended ceiling.

These amplifiers can be installed with other types of SONELCO loudspeakers or speakers, the above combinations being valid, providing that they have the same impedances and the loudspeakers have the necessary power supply

INDEPENDENT INSTALLATION



Stereo installation with 1 external music channel (by means of module PC3110). Power: 8 + 8 W RMS (4 W per point).

Applications: homes, exhibition rooms, cafes, etc.