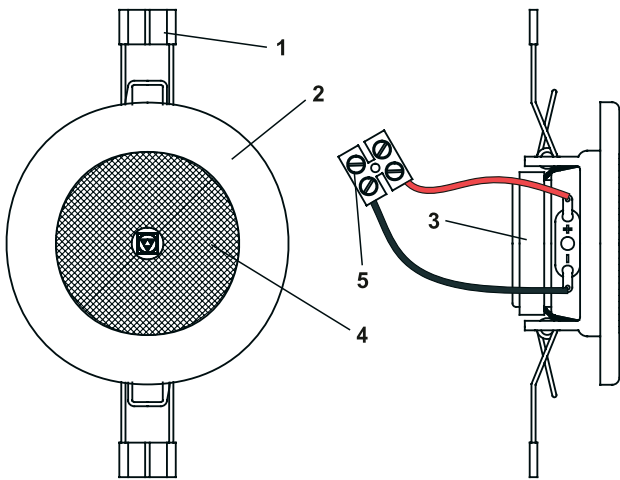
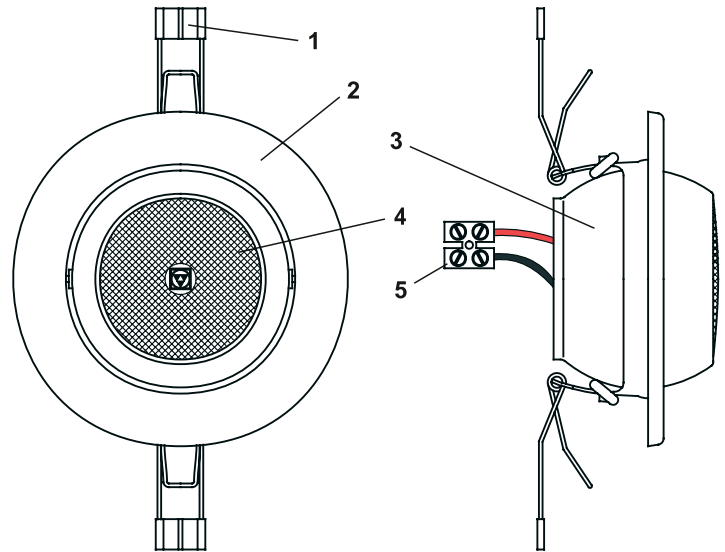


P7112 (Fixed)



P7115 (Direction-Adjustable)



1 - Fastening springs. 2 - Cosmetic cover. 3.- Speaker housing. 4 - Speaker grille. 5 - Connector.

DESCRIPTION

8 Ohm 2W 2" speaker, with metallic grille, mounted on a circular support (fixed in the P7112 and adjustable in the P7115), to be fitted into false ceilings. The fastening springs allow for a simple and fast installation.

CONNECTION

CONNECTOR TERMINALS:

Red wire terminal - Input +
Black wire terminal - Input -

TECHNICAL CHARACTERISTICS

2" Speaker
 Impedance : 8 Ohm.
 Rated power : 2 W RMS
 Max. power : 5 W RMS
 Frequency response : 240- 13 KHz
 Sound pressure level : 83 db/ 1W, 1m.
 Diameter of hole for installation: - for P7112 , Ø 60 mm.
 - for P7115 , Ø 90 mm.
 Dimensions : P7112 , Ø80 x32 Weight : 180 gr
 P7115 , Ø110x55 Weight : 240 gr

INSTALLATION INSTRUCTIONS

P7112

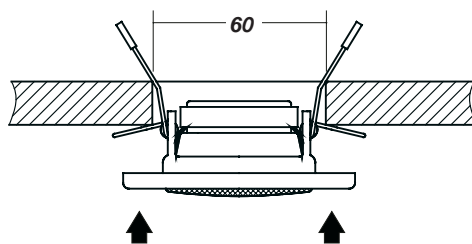


Fig. "A"

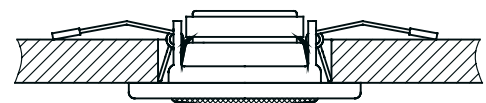
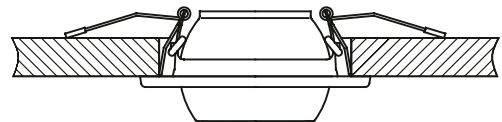
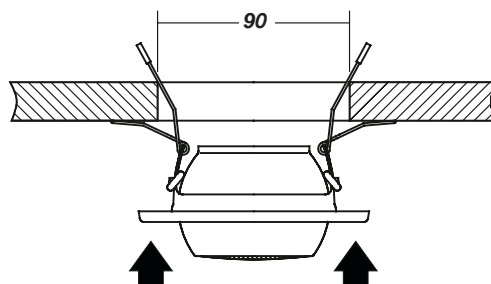


Fig. "B"

P7115



Press on the cosmetic cover, positioning the fastening springs as indicated in Fig. "A", (depth of recommended holes: 60 mm. for the P7112 and 90 mm for the P7115), until assembly is totally recessed. (Fig. "B")