

- 1.- Volume / level adjustment with switch.
- 2.- Illuminated working indicator.
- 3.- Fastening by means of orientable ball-and-socket joint (Optional).
- 4.- Connection strip.
- 5.- Connection strip for an extra loudspeaker.
- 6.- Opening to hang the speaker on a tenterhook.

DESCRIPTION

4" amplified speaker with a 5W mono amplifier and volume control regulation. Finish in black colour (mod. P7331-09) or white colour (mod. P7331-01)

GENERAL CHARACTERISTICS

- 4" speaker
- Built-in monophonical amplifier.
- Power: 5 W RMS
- Electronic equalization in order to increase the response in frequencies.
- Volume / level adjustment with switch (1) and illuminated working indicator (2).
- Fastening by means of ball-and-socket joint that can be orientated (3) (OPTIONAL)

CONNECTION

It is connected directly to the line through the connection strip (4).

TERMINALS

- **2/3** - Positive, input supply (+16V DC)
- **4** - Negative + Ground
- **05/06** - Audio input, 3V RMS max.
- **A+** - Auxiliary audio output (4 Ohm/2.5 W max.)
- **M-** - Auxiliary audio output -

The Baffle Mod. P7331 permits two forms of connection to the general line (See the examples of the posterior part of this page). Both connection are carried out by means of connection strip (4):

A - Direct connection to the line (without regulating control). This form allows the realization of simple installations with only one music channel (in mono or stereo). The ON/OFF of the baffle and the adjustment of the volume are carried out by means of the potentiometer incorporated in the Baffle; therefore it is advisable to install it within reach.

B - Connection to a regulating control. The amplified Baffle can be installed instead of a soffit structure in all the installation schemes, allowing its incorporation in installations of one or several music channels, with warnings, intercommunication of alarms. In this case the potentiometer incorporated in the Baffle regulates the sensibility. It is advisable to keep it in the medium position, since the ON/OFF and the volume adjustment will be carried out in the corresponding regulating control push button.

POSITIONS

POSSIBLE POSITIONS:

- A - Installation on bookshelves** or similar pieces of furniture.
- B - Installation on the wall**, by means of a tenterhook or a similar one. The Baffle has an opening in its higher back part in order to hang it on to the tenterhook.(6)
- C - Installation on the wall**, by means of a ball-and-socket joint which can be orientated Mod. P4391/P4392. The ball-and-socket joint is screwed both on the wall and at the back part of the Baffle in their proper openings. In this way the Baffle can be orientated both horizontally and vertically in order to regulate it towards the audition zone.
- D - Installation built in empty zones** (false plaster ceilings, accessible modular ceilings, slatted shutter boxes, etc...). You need the auxiliary chassis Mod. P4371/P4372 delivered together with an embellishing frame. The fastening is carried out by means of springs or screws.

NOTE: The installation accessories Mod. P4371/P4372 and P4391/P4392 are the same for all the Baffles and will be supplied separately. Each of them incorporates its own installation instructions.

TECHNICAL CHARACTERISTICS

- 4" Loudspeaker

- Response in frequencies: (speaker): 120Hz. - 15KHz.
- Sensitivity: 86dB (1KHz/1W/1m)

- Amplifier

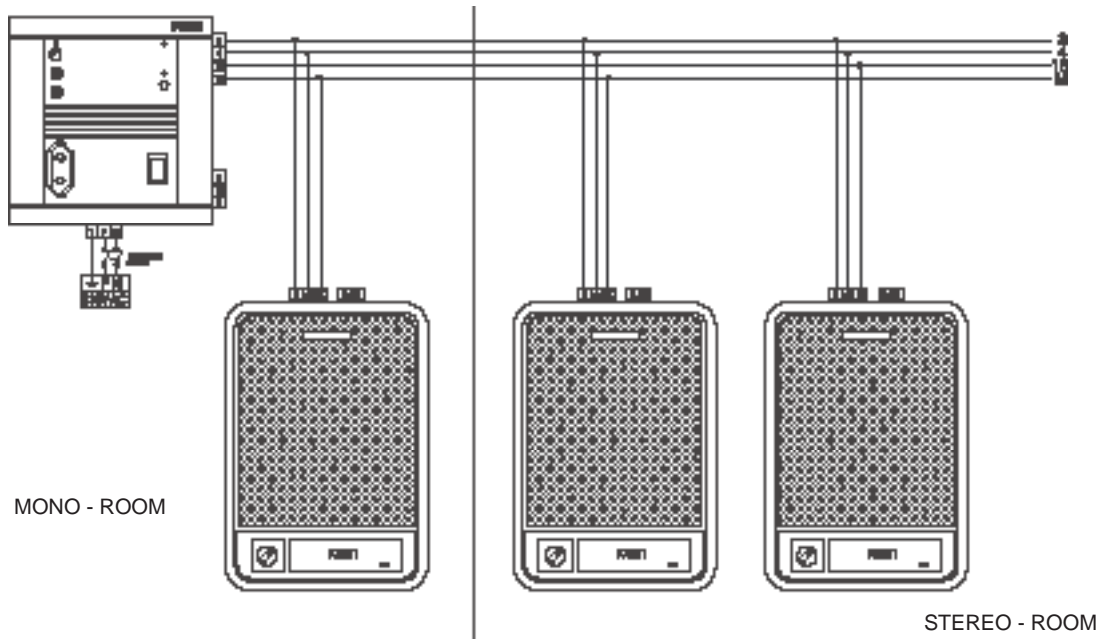
- Supply: (2/3-4): 16 V
- Consumption: 0,65 A.
- Power: 5W RMS
- Distortion: 0,4 %
- S/N ratio: 56 dB.

- Dimensions: 210 x 150 x 108mm (Height x Width x Depth)

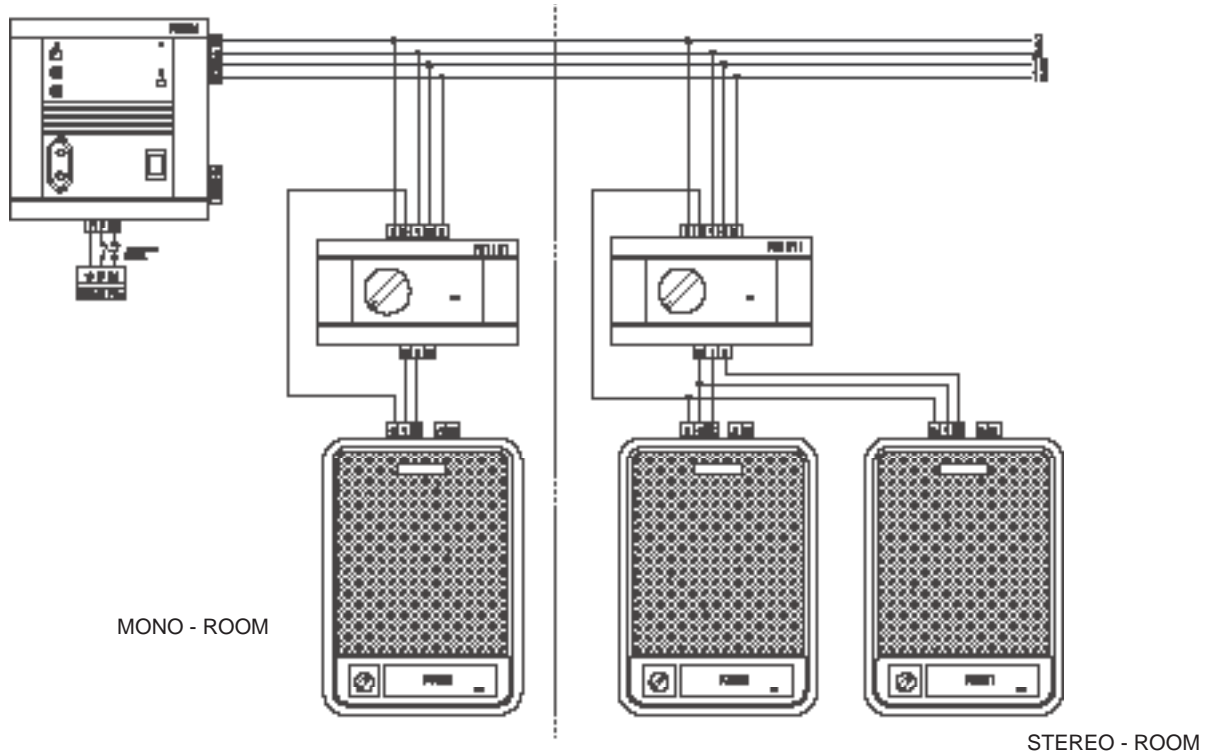
- Weight: 1150 gr. (approximately).

INSTALLATION EXAMPLES

Example of Standard Installation (Background music)



Example of Installation with regulating control units (Background music)



CONNECTION OF AN EXTRA LOUDSPEAKER

The Baffle incorporates a 5W monophonical amplifier. It permits the connection of an extra Baffle Mod. P7311 (5). In this case each Baffle will have a power of 2.5W.

In rooms where you want stereophony you need 2 Baffles Mod. P7331, one for each music channel..

