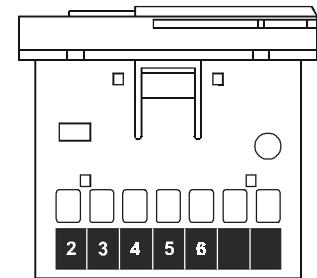
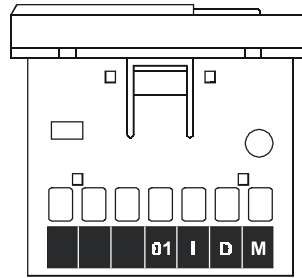
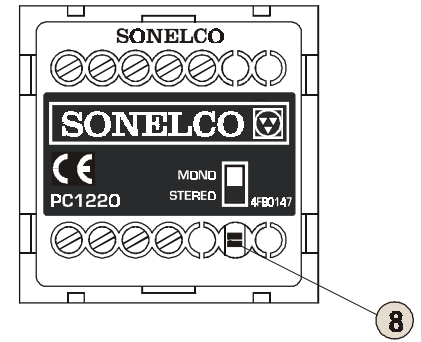


- 1 - Raise volume push-button
- 2 - Lower volume push-button
- 3 - 3.5 mm jack connector for Walkman input.
- 4 - 3.5 mm jack connector for earphone output
- 5 - ON/OFF/SLEEP push-button
- 6 - Operation indicator light
- 7 - SCAN push-button
- 8 - MONO / STEREO switch



DESCRIPCION

1+1 W stereophonic amplified control with digital volume adjustment, SCAN-SLEEP function, output for earphones and input for walkman.

GENERAL CHARACTERISTICS

- Electronic ON/OFF switch
- LED type operation indicator light
- 32-step digital volume control with memory of the selected position when the control is switched off.
- 1+1 W stereophonic amplifier with output for standard 8 Ohm speaker
- SCAN function, (remote change of radio station in a SONE LCO tuner)
- SLEEP function (the control switches itself off after 20 minutes)
- Output for stereo earphones, with disconnection of speakers.
- Input for outside audio signal (Walkman) for amplification through speakers, with automatic disconnection of line signal.
- Telecontrol by voltage

CONNECTION

Before connecting, make sure the power supply unit is switched off. Insert the control in the metal base plate and make the connection according to the following instructions:

TERMINALS

- 01 - SCAN. Connect to Scan line
- 2 - Input + 16V supply
- 3 - Output + 16 V, after switch
- 4 - Ground
- 5 - Left channel audio input
- 6 - Right channel audio input
- I - Output for left speaker
- D - Output for right speaker
- M - Common ground for speakers

NOTE: The system must be wired up separately from the electricity mains, according to regulations.

OPERATION

After making the connection, switch the main unit on and make sure there is an audio source connected to the main unit (a tuner or another external audio source). If the control unit is installed with a 4000 Series main unit, and the telecontrol is used, make sure the main unit uses the telecontrol by voltage (see information on main unit).

Check the position of the MONO/STEREO switch (8). If both speakers have been installed in that room the switch will be placed on Stereo (position by defect). If only one speaker has been installed in that room place the switch on MONO (M).

Apply ON/OFF push-button (5) and make sure the ON LED (6) comes on. Keep the Volume + key (1) depressed until the music is heard at desired level and let it go. To lower the music level apply Volume - key (2).

To switch the control off briefly push the ON/OFF push-button (5) and check the ON LED (6) has gone out. If you wish to activate the SLEEP function (timed switch off) instead of lightly touching the key (which makes it go off straightaway), keep the key depressed until the ON/OFF LED goes on and off, indicating that the SLEEP has been activated.

The control will automatically go off after 20 minutes. Whilst the SLEEP is activated all the other control functions will be operative. If we press the ON/OFF key again whilst the SLEEP function is activated, the control will go off straightaway.

If the music signal comes from a SONE LCO tuner and the SCAN line is connected, the station can be selected by applying SCAN push-button (7).

Note: The application mode of the SCAN function depends on the tuner used. See relative Technical Information on the tuner.

If you wish to listen to music through earphones, use connector (4). When the earphone jack is inserted the speakers will automatically be disconnected.

If you wish to reproduce a local sound source (Walkman type) through the control and speakers use connector (3). You will need the correct connection cable to connect it to the earphone output of your walkman (see our catalogue or purchase it from any sound or electronics shop). When the Walkman is connected, the music from the main unit will automatically be disconnected, regardless of the channel selected, and the music from the local sound source will be heard.

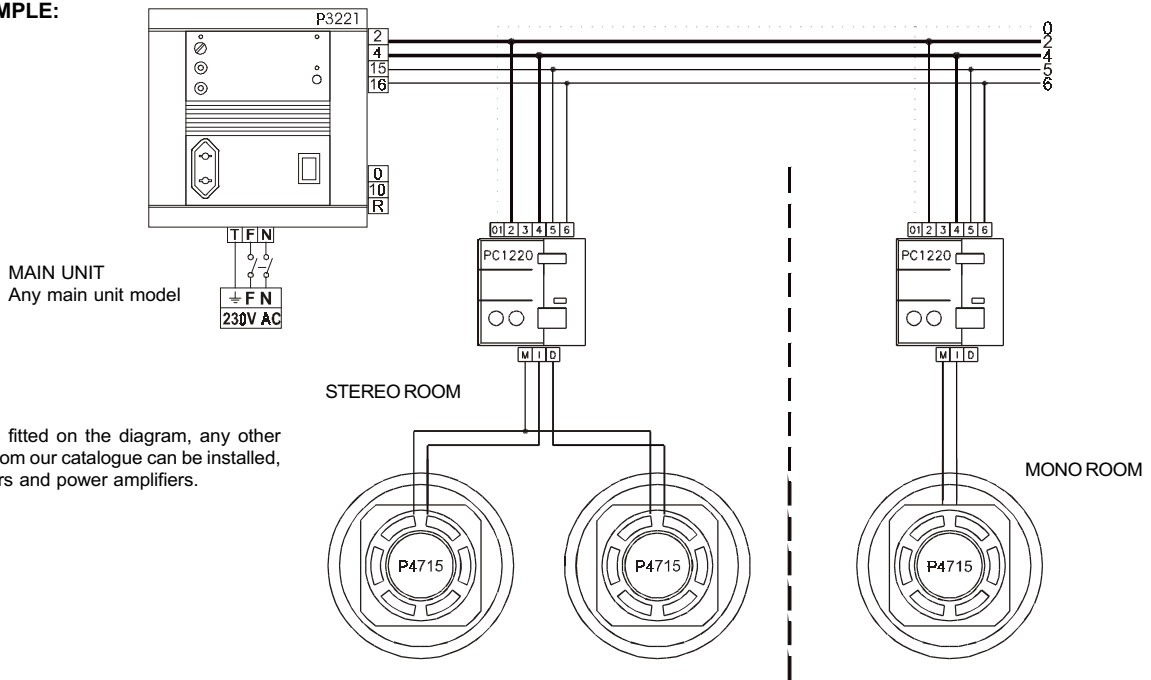
TECHNICAL CHARACTERISTICS

Supply voltage: 16 V DC
 Maximum consumption: 370 mA
 Rated output power: 1+1 W RMS
 Output impedance: 8 Ohm
 Maximum output power: 1.5+1.5 W RMS
 Maximum output current (Terminal 3): 2 A

Frequency response: 94 Hz-22 KHz. (-3dB)
 Signal/Noise ratio: >65 dB
 Input sensitivity (Terminals 5, 6.): 1.5 V
 Walkman input: 60 mV
 Crosstalk: 45dB
 Earphone output: 1+1 W/8 Ohm

Dimensions (L x W x D): 45x45x45 mm
 Weight: 53 grams

INSTALLATION EXAMPLE:



Apart from the speakers fitted on the diagram, any other kind of 8 Ohm. speaker from our catalogue can be installed, as well as active speakers and power amplifiers.

ASSEMBLY RECOMMENDATIONS: All the "COMPACT" series modules can be fitted on different types of flush-boxes (cases 1, 2 and 3 indicated below), for which we have 3 types of front frames, which are supplied separately.

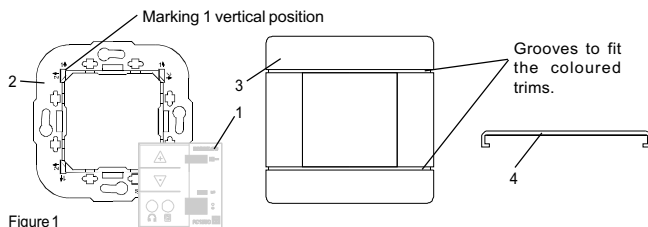


Figure 1

KC9200-01 (WHITE) KC9200-02 (CHARCOAL)

1 - FRONT SQUARE FRAME FOR UNIVERSAL BOX: To assemble the control correctly, place the base plate as shown in figure 1, with the bulge of the reinforcing rib towards the side where the control is inserted.

In this position, gently place control (1) over base plate (2) until a click is heard. After connecting and carrying out operation tests, secure the base plate on to the flush-box.

Finally fit the outside frame (3) pressing on the base plate, until it is correctly adjusted. If trims (4) are mounted, do this before fitting the frame, first inserting one of the ends into the groove and pressing to insert it completely.

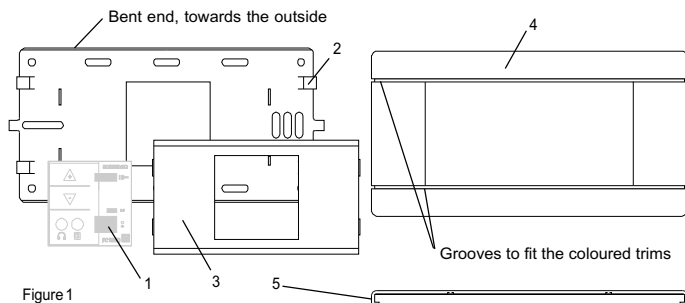


Figure 1

KC9201-01 (WHITE) KC9201-02 (CHARCOAL) KC9201-03 (TWO-TONE)

2 - RECTANGULAR FRONT FRAME FOR "SONELCO" BOX 4901 or DOUBLE UNIVERSAL BOX (Adaptation for 1 module): To assemble the control, place the base plate as shown in figure 1, with the bent edge towards the side where the control is inserted.

In this position, gently place control (1) over base plate (2) until a click is heard. Then fit adapter (3) onto the control and press onto the base plate until another click is heard. After making the connection and carrying out the operation tests, secure the base plate onto the flush-box.

Finally fit the outside frame (4) pressing on the base plate until it is adjusted. If trims (5) are mounted, do this before fitting the frame, first inserting one of the ends into the groove and pressing to insert it completely.

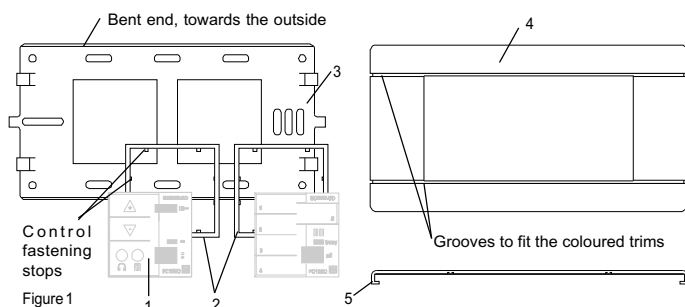


Figure 1

KC9202-01 (WHITE) KC9202-02 (CHARCOAL) KC9202-03 (TWO-TONE)

3 - RECTANGULAR FRONT FRAME FOR "SONELCO" BOX 4901 or DOUBLE UNIVERSAL BOX (Adaptation for 2 modules): To assemble the control correctly, place the base plate as shown in figure 1, with the bent edge towards the side where the control is inserted.

In this position, gently place control (1) onto base plate (2), until a click is heard. Then fit adapter (3) onto the control and press onto the base plate until another click is heard. After making the connection and carrying out the operation tests, secure the base plate onto the flush-box.

Finally fit the outside frame (4) pressing on the base plate until it is adjusted. If trims (5) are mounted, do this before fitting the frame, first inserting one of the ends into the groove and pressing to insert it completely.