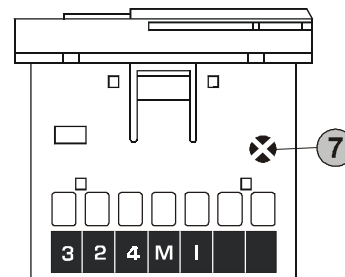
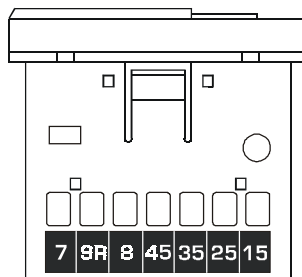
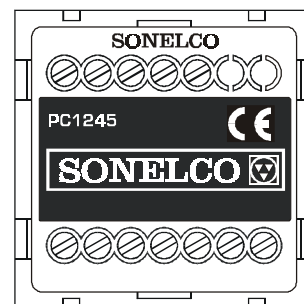


- 1.- Volume increase pushbutton
- 2.- Volume reduction pushbutton
- 3.- Channel selection indicator light
- 4 - ON/OFF pushbutton
- 5.- Operation indicator light
- 6.- Channel selection pushbutton
- 7.- Message receipt level adjustment



DESCRIPTION

1 W monophonic amplified with digital volume control (1-2) to adjust volume. 4 mono music channel selector (6) and message receipt. Electronic on/off by pushbutton (4). Internal setting of message receipt level (7).

GENERAL CHARACTERISTICS

- Electronic switch with "on/off" pushbutton (4)
- LED type operation indicator light (5)
- Digital volume control (1-2)
- Electronic switch for 4 music channels "ch" (6)
- Channel no. indicator light (3)
- Memory of last channel selected
- 1 W mono amplifier with output for standard 8 Ohm speaker
- Message receipt, even when the control is switched off with internal setting (7) to adjust the receipt level which is independent of volume
- Telecontrol system by voltage through audio line

CONNECTION

Before connecting, make sure the system's main power supply unit is switched off. Insert the control in the metal base plate and make the connection according to the following instructions:

TERMINALS

- 2 - Input + 16V supply
- 3 - Output + 16 V, after switch
- 4 - Ground
- 7 - Message audio input
- 8 - Zone selection input
- 9R - General call input. Connect to wire 9
- 15 - Channel 1 audio input
- 25 - Channel 2 audio input
- 35 - Channel 3 audio input
- 45 - Channel 4 audio input
- I - Output for speaker
- M - Speaker ground

NOTA: The system must be wired up separately from the electricity mains according to regulations.

OPERATION

After making the connection, switch the main unit on and make sure there is an audio source connected to the main unit (a SONECO tuner or another external audio source). If the control unit is installed with a 4000 Series main unit, and the telecontrol is used, make sure the main unit uses the telecontrol by voltage (see information on main unit).

To switch the control on depress the "on/of f" switch (4) and check that the pilot light (5) comes on. This control is designed for systems with 1 to 4 channels, to select the channel depress the "ch" switch (6) (the pilot light corresponding to the channel no. selected will come on). Keep the volume key + (1) depressed until the music is heard at the right level and then let it go. To reduce the music level, used volume key - (2).

To switch the control off depress the "on/off" switch (4) slightly and check that the LED (5) has gone off.

MESSAGE RECEIPT

Message receipt is priority and you can receive the messages even though the control is off. The message receipt volume does not depend on the outside volume adjustment potentiometer (1-2), it leaves the factory pre-set in an intermediate position. If required, it can be changed with potentiometer (7).

Make a call to this zone from a message transmitter control and check that the message is heard correctly.

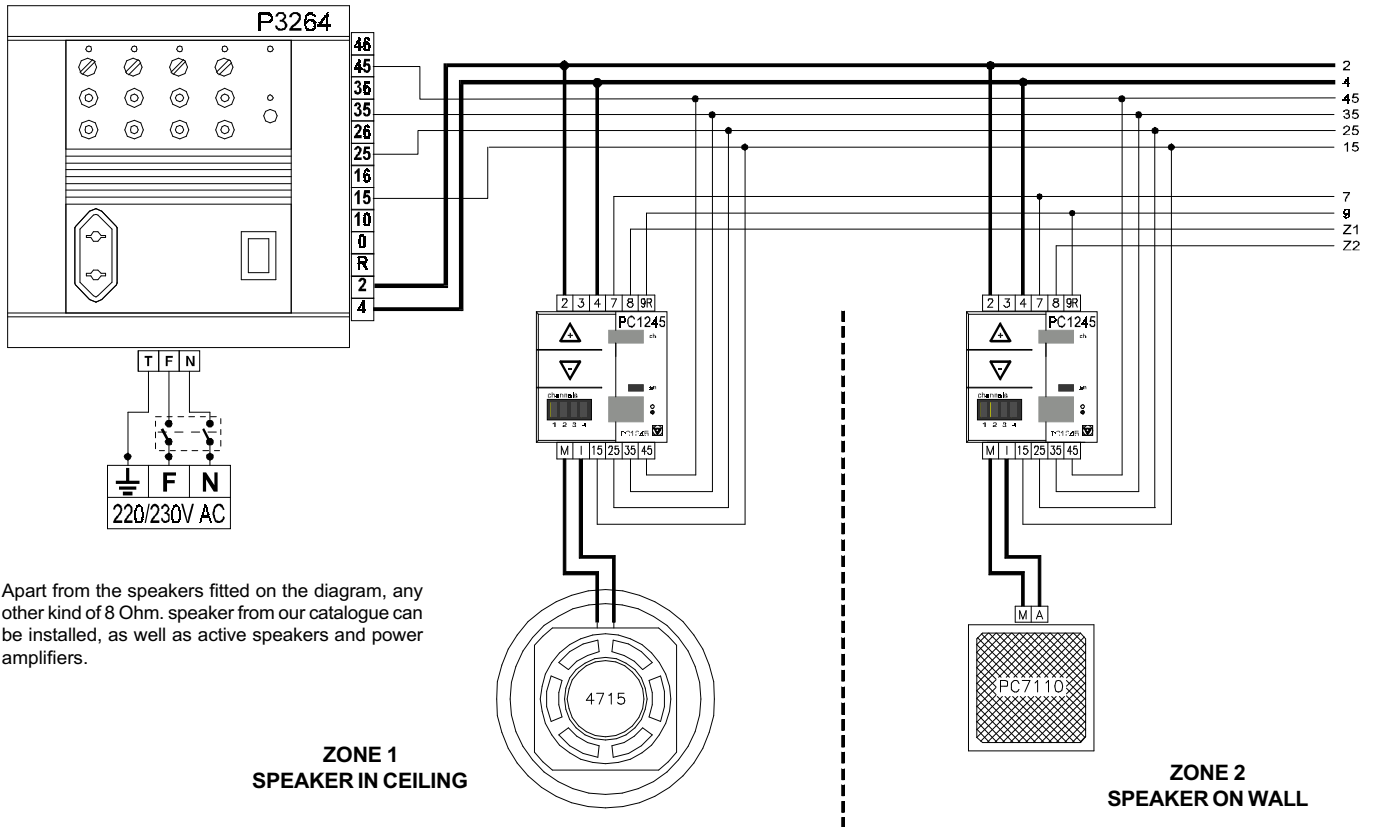
TECHNICAL CHARACTERISTICS

- Supply voltage: 16 V DC
- Maximum consumption: 200 mA
- Rated output power: 1W RMS
- Output impedance: 8 Ohm
- Maximum output power: 1.5W RMS
- Maximum output current (Terminal 3): 1 A
- Frequency response: 80 Hz-20 KHz. (-3dB)
- Frequency response message input: 75 Hz-15 KHz
- Signal/Noise ratio: 62 dB
- Input sensitivity (Terminals 5,6,7): 1.5 V
- Crosstalk: 45dB
- Rated input level for message commutation: 15V

Outer dimensions: 45x45x47 mm (LxWxD)

Weight: 55 grams

INSTALLATION EXAMPLE:

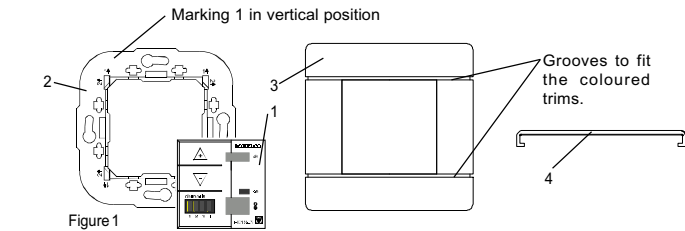


NOTE: Apart from the speakers fitted on the diagram, any other kind of 8 Ohm. speaker from our catalogue can be installed, as well as active speakers and power amplifiers.

**ZONE 1
SPEAKER IN CEILING**

**ZONE 2
SPEAKER ON WALL**

ASSEMBLY RECOMMENDATIONS: All the "COMPACT" series modules can be fitted on different types of flush-boxes (cases 1, 2 and 3 indicated below), for which we have 3 types of front frames, which are supplied separately.

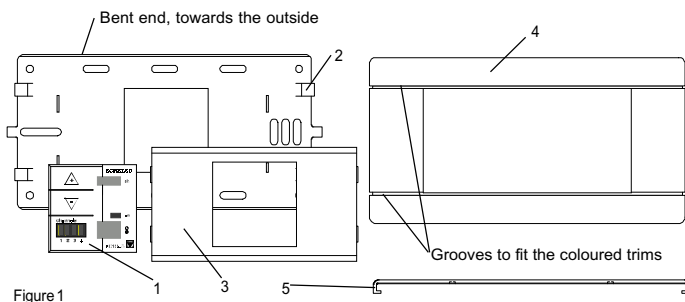


KC9200-01 (WHITE) KC9200-02 (CHARCOAL)

1 - FRONT SQUARE FRAME FOR UNIVERSAL BOX: To assemble the control correctly, place the base plate as shown in figure 1, with marking 1 in vertical position.

In this position, gently place control (1) over base plate (2) until a click is heard. After connecting and carrying out operation tests, secure the base plate on to the flush-box.

Finally fit the outside frame (3) pressing on the base plate, until it is correctly adjusted. If trims (4) are mounted, do this before fitting the frame, first inserting one of the ends into the groove and pressing to insert it completely.

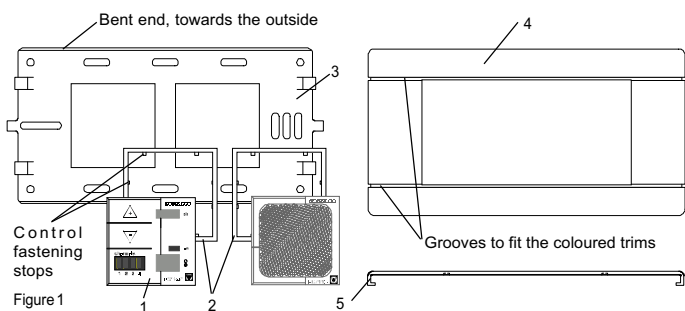


KC9201-01 (WHITE) KC9201-02 (CHARCOAL) KC9201-03 (TWO-TONE)

2 - RECTANGULAR FRONT FRAME FOR "SONELCO" BOX 4901 or DOUBLE UNIVERSAL BOX (Adaptation for 1 module): To assembly the control, place the base plate as shown in figure 1, with the bent edge towards the side where the control is inserted.

In this position, gently place control (1) over base plate (2) until a click is heard. Then fit adapter (3) onto the control and press onto the base plate until another click is heard. After making the connection and carrying out the operation tests, secure the base plate onto the flush-box.

Finally fit the outside frame (4) pressing on the base plate until it is adjusted. If trims (5) are mounted, do this before fitting the frame, first inserting one of the ends into the groove and pressing to insert it completely.



KC9202-01 (WHITE) KC9202-02 (CHARCOAL) KC9202-03 (TWO TONE)

3 - RECTANGULAR FRONT FRAME FOR "SONELCO" BOX 4901 or DOUBLE UNIVERSAL BOX (Adaptation for 2 modules): To assembly the control correctly, place the base plate as shown in figure 1, with the bent edge towards the side where the control is inserted.

In this position, gently place control (1) onto base plate (2), until a click is heard. Then fit adapter (3) onto the control and press onto the base plate until another click is heard. After making the connection and carrying out the operation tests, secure the base plate onto the flush-box.

Finally fit the outside frame (4) pressing on the base plate until it is adjusted. If trims (5) are mounted, do this before fitting the frame, first inserting one of the ends into the groove and pressing to insert it completely.