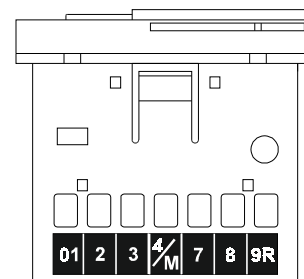
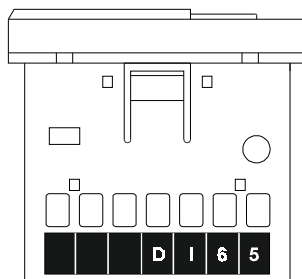
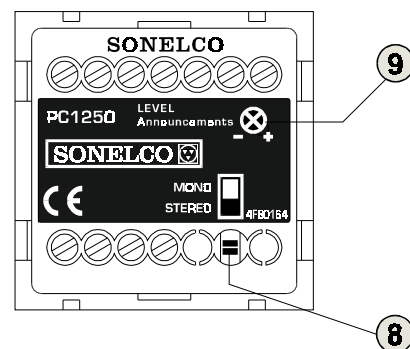


- 1 - Raise volume push-button
- 2 - Lower volume push-button
- 3 - 3.5 mm jack connector for Walkman input.
- 4 - 3.5 mm jack connector for earphone output
- 5 - ON/OFF/SLEEP push-button
- 6 - Operation indicator light
- 7 - SCAN push-button



### DESCRIPTION

1+1 W stereo amplified control with digital volume adjustment, message receipt, SCAN-SLEEP function, output for earphones and input for walkman.

### GENERAL CHARACTERISTICS

- Electronic ON/OFF switch
- LED type operation indicator light
- 32-step digital volume control with memory of the selected position when the control is switched off.
- 1+1 W stereophonic amplifier with output for standard 8 Ohm speaker
- SCAN function, (remote change of radio station in a SONELCO tuner)
- SLEEP function (the control switches itself off after 30/60 minutes)
- Message receipt, even when the control is switched off.
- Adjustable message receipt volume regardless of the volume selected for the music.
- Output for stereo earphones, with disconnection of speakers.
- Input for outside audio signal (Walkman) for amplification through speakers, with automatic disconnection of line signal.
- Telecontrol by voltage

### CONNECTION

Before connecting, make sure the system's main power supply unit is switched off. Insert the control in the metal base plate and make the connection according to the following instructions:

#### TERMINALS

- 01 - SCAN. Connect to Scan line
- 2 - Input + 16V supply
- 3 - Output + 16 V, after switch
- 4/M - Ground common for speakers
- 5 - Left channel audio input
- 6 - Right channel audio input
- 7 - Message audio input
- 8 - Zone selection input. Connect to relative zone wire Zx (in the case of messages by zones)
- 9R - General call input. Connect to wire 9 (if you wish to receive general call)
- I - Output for left speaker
- D - Output for right speaker

**NOTE:** The system must be wired up separately from the electricity mains, according to regulations.

### OPERATION

After making the connection, switch the main unit on and make sure there is an audio source connected to the main unit (a tuner or another external audio source). If a telecontrol is used make sure the main unit uses the telecontrol by voltage (see information on main unit).

Check the position of the MONO/STEREO switch (8). If both speakers have been installed in that room the switch will be placed on Stereo (position by defect). If only one speaker has been installed in that room place the switch on MONO (M). Apply ON/OFF push-button (5) and make sure the ON LED (6) comes on. Keep the Volume + key (1) pressed until the music is heard at desired level and let it go. To lower the music level apply Volume - key (2).

To switch the control off, briefly depress the ON/OFF pushbutton (5) and check that the ignition LED (6) goes out. If you wish to activate the SLEEP function (timed off), instead of briefly pressing the pushbutton (which makes it go off straightaway), keep the key depressed until the ignition LED (6) starts to blink on and off quickly, thus indicating the activation of SLEEP lasting for 30 minutes. If you wish to activate the 60 minutes SLEEP just keep the ON/OFF key (5) depressed until the LED (6) starts to slowly blink on and off. During the first 30 minutes the ignition LED (6) will blink on and off slowly, and then the blinking will get quicker, lasting for a further 30 minutes, until the control switches off.

If the music signal comes from a SONELCO tuner and the SCAN line is connected, the station can be selected by applying SCAN push-button (7).

**Note:** The application mode of the SCAN function depends on the tuner used. See relative Technical Information on the tuner.

From a message transmitting control make a call to this zone and check that the message is heard correctly. The message receipt level is pre-set in the factory at an intermediate position. If necessary you can change it by adjusting with a screwdriver at (9) at the rear of the control. If you wish to listen to music through earphones, use connector (4). When the earphone jack is inserted the speakers will automatically be disconnected.

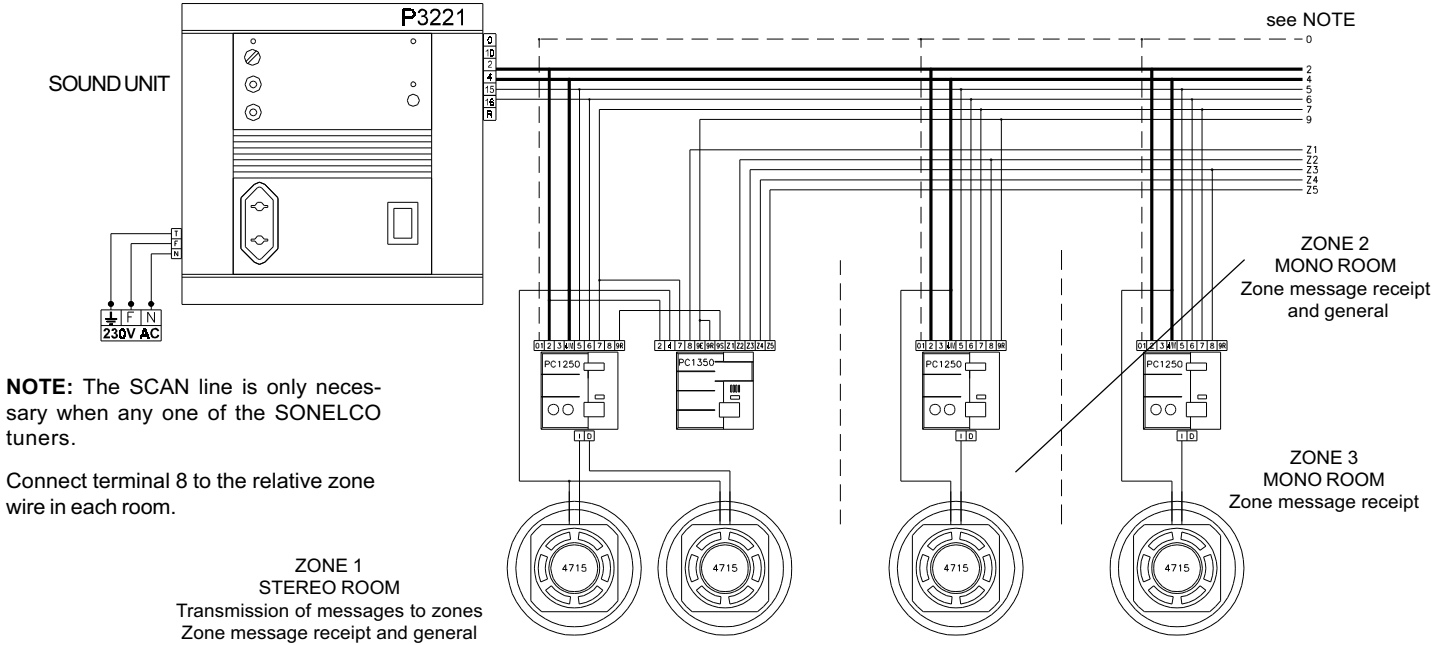
If you wish to reproduce a local sound source (Walkman type) through the control and speakers use connector (3). You will need the correct connection cable to connect it to the earphone output of your walkman (see our catalogue or purchase it from any sound or electronics shop). When the Walkman is connected the music from the main unit will automatically be disconnected, regardless of the channel selected, and the music from the local sound source

# TECHNICAL CHARACTERISTICS

Supply voltage: 16 V DC  
 Maximum consumption: 370 mA  
 Rated output power: 1+1 W RMS  
 Output impedance: 8 Ohm  
 Maximum output power: 1.5+1.5 W RMS  
 Maximum output current (Terminal 3): 2 A

Frequency response: 70 Hz-24 KHz. (-3dB)  
 Signal/Noise ratio: >62 dB  
 Input sensitivity (Terminals 5, 6, 7): 1.5 V  
 Walkman input: 90 mV  
 Crosstalk: 62dB  
 Earphone output: 1+1 W/8 Ohm  
 Rated input level for message commutation: 15 V  
 Dimensions (L x W x D): 45x45x45 mm  
 Weight: 50 grams

## INSTALLATION EXAMPLE:



## ASSEMBLY RECOMMENDATIONS: All the "COMPACT" series modules can be fitted on different types of flush-boxes (cases 1, 2 and 3 indicated below), for which we have 3 types of front frames, which are supplied separately.

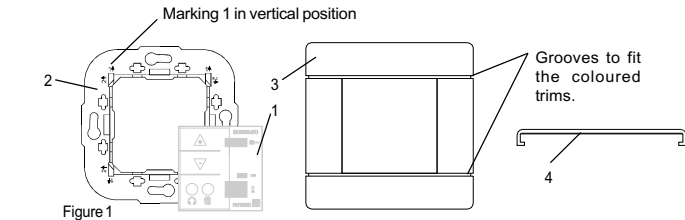


Figure 1  
 KC9200-01 (WHITE) KC9200-02 (ANTHRACITE GREY)

**1 - FRONT SQUARE FRAME FOR UNIVERSAL BOX:** To assemble the control correctly, place the base plate as shown in figure 1, with marking 1 in vertical position.

In this position, gently place control (1) over base plate (2) until a click is heard. After connecting and carrying out operation tests, secure the base plate on to the flush-box.

Finally fit the outside frame (3) pressing on the base plate, until it is correctly adjusted. If trims (4) are mounted, do this before fitting the frame, first inserting one of the ends into the groove and pressing to insert it completely.

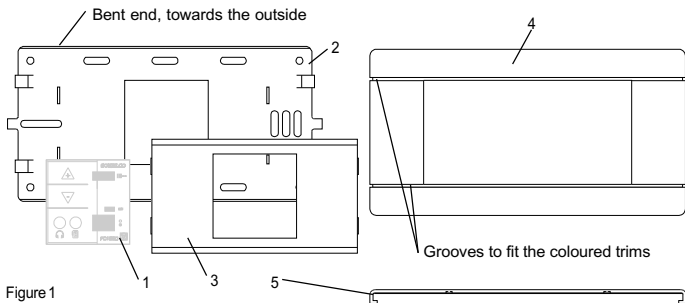


Figure 1  
 KC9201-01 (WHITE) KC9201-02 (ANTHRACITE GREY) KC9201-03 (TWO-TONE)

**2 - RECTANGULAR FRONT FRAME FOR "SONELCO" BOX 4901 or DOUBLE UNIVERSAL BOX (Adaptation for 1 module):** To assemble the control, place the base plate as shown in figure 1, with the bent edge towards the side where the control is inserted.

In this position, gently place control (1) over base plate (2) until a click is heard. Then fit adapter (3) onto the control and press onto the base plate until another click is heard. After making the connection and carrying out the operation tests, secure the base plate onto the flush-box.

Finally fit the outside frame (4) pressing on the base plate until it is adjusted. If trims (5) are mounted, do this before fitting the frame, first inserting one of the ends into the groove and pressing to insert it completely.

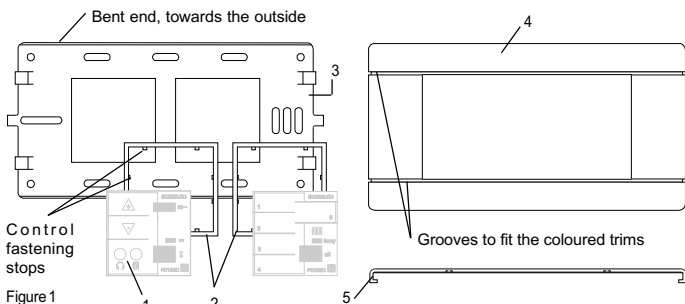


Figure 1  
 KC9202-01 (WHITE) KC9202-02 (ANTHRACITE GREY) KC9202-03 (TWO-TONE)

**3 - RECTANGULAR FRONT FRAME FOR "SONELCO" BOX 4901 or DOUBLE UNIVERSAL BOX (Adaptation for 2 modules):** To assemble the control correctly, place the base plate as shown in figure 1, with the bent edge towards the side where the control is inserted.

In this position, gently place control (1) onto base plate (2), until a click is heard. Then fit adapter (3) onto the control and press onto the base plate until another click is heard. After making the connection and carrying out the operation tests, secure the base plate onto the flush-box.

Finally fit the outside frame (4) pressing on the base plate until it is adjusted. If trims (5) are mounted, do this before fitting the frame, first inserting one of the ends into the groove and pressing to insert it completely.