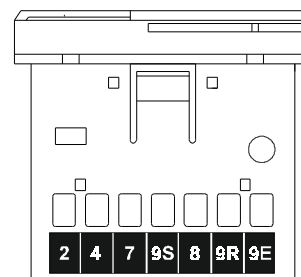
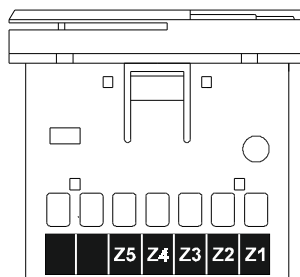
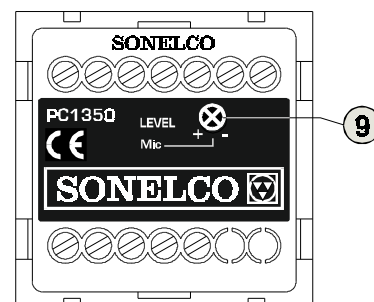


- 1 - Call push-button to Zone 1.
- 2 - Call push-button to Zone 2.
- 3 - Call push-button to Zone 3.
- 4 - Call push-button to Zone 4.
- 5 - General call push-button
- 6 - Busy line indicator light
- 7 - Microphone
- 8 - Call push-button to Zone 5
- 9 - Microphone adjustment level



### DESCRIPTION

Message transmitting module for 5 different zones and general call. It is normally used combined with a PC1250 or PC1105 control, with two aims: 1 - Message transmitting centre. 2 - Radial or ring intercom (see diagrams). It can also be used as an independent message transmitting centre, but in this case without the possibility of having piped music or message receipt in this centre. (see enclosed diagram).

### GENERAL CHARACTERISTICS

- Key for call to 5 different zones
- Separate key for general call to whole system
- Busy line indicator light
- Built-in high sensitivity microphone, with output level adjustment

### CONNECTION

Before connecting, make sure the system's main power supply unit is switched off. Insert the control in the metal base plate and make the connection according to the following instructions:

#### TERMINALS

- 2 - Input + 16V supply
- 4 - Ground
- 7 - Message audio input/output
- Z1 - Call output to Zone 1 (connect to Zone 1 wire)
- Z2 - Call output to Zone 2 (connect to Zone 2 wire)
- Z3 - Call output to Zone 3 (connect to Zone 3 wire)
- Z4 - Call output to Zone 4 (connect to Zone 4 wire)
- Z5 - Call output to Zone 5 (connect to Zone 5 wire)
- 8 - Zone selection input. Connect to assigned zone wire Zx (if connected to message receipt control)
- 9R - General call input. Connect to wire 9 (if connected to message receipt control)

- 9E - General call output. Connect to wire 9 to transmit general call or to wire Zx for star intercom
- 9S - Message receipt/transmission control output. To connect to terminal 9R of attached control (if connected to message receipt control)

**NOTE:** The system must be wired up separately from the electricity mains, according to regulations.

### OPERATION

If connected to a message receipt control, make a call to this zone from another message transmitting control and make sure the message is heard correctly.

During the message receipt, the message receipt indicator (6) will come on.

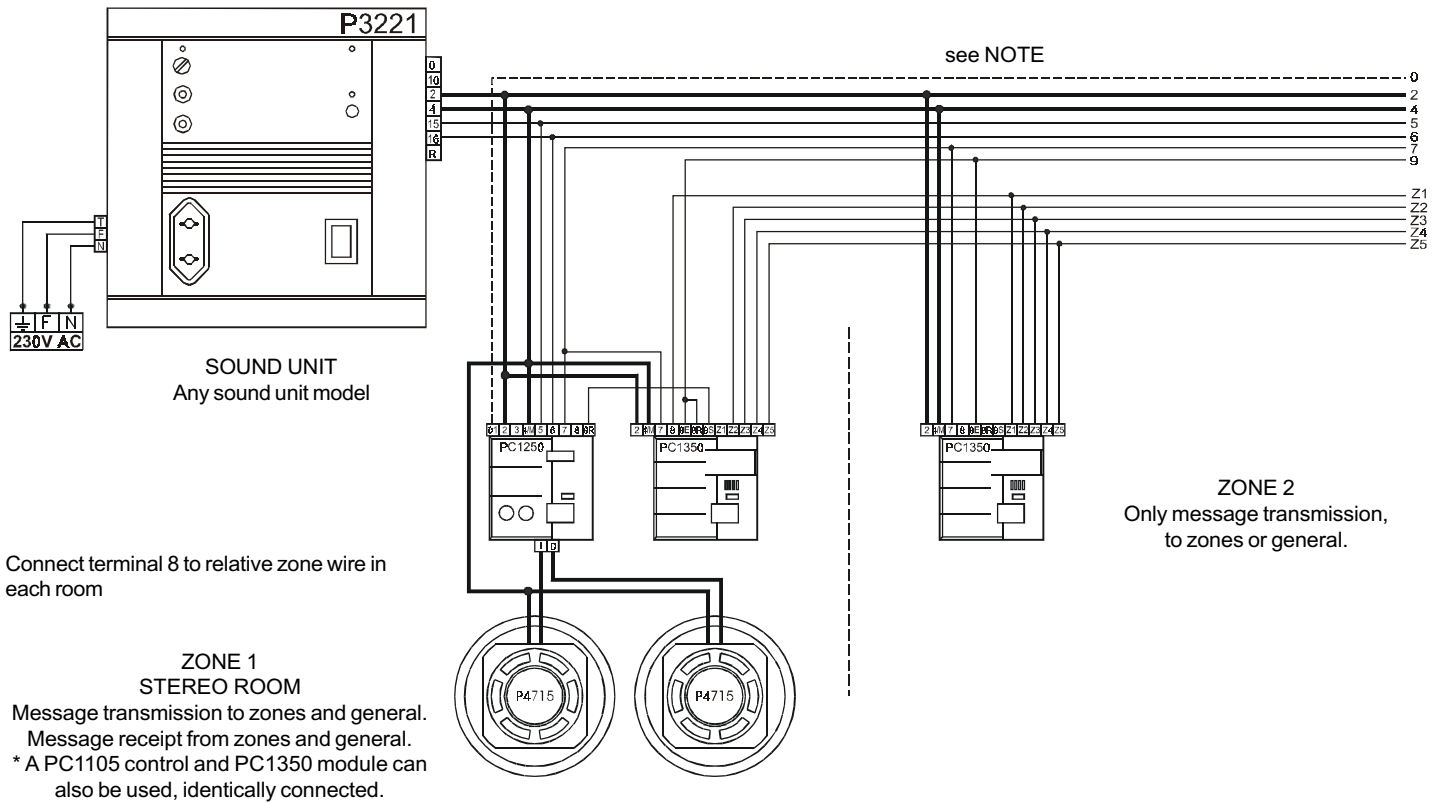
To send a message just press any of the zone keys (1,2,3,4 or 5) or the general call key (5) and talk about 30 or 40 cm away from the microphone (7).

The microphone level (9) is pre-set in factory for that distance, but it can be changed by the user to adapt it to his needs. Messages can only be transmitted when the Busy Line indicator LED (6) is off.

### TECHNICAL CHARACTERISTICS

- Supply voltage: 16 V DC
- Maximum consumption: 50 mA
- Microphone:
  - Omnidirectional directivity
  - Frequency response: 90 Hz - 16 KHz.
- Audio output level (Terminal 7): 3 V
- Rated input level for message commutation: 15V
- Nominal output level for calls (general and zones): 15V
- Dimensions (L x W x D): 45x45x45 mm
- Weight: 50 grams

**INSTALLATION EXAMPLE:**



**ASSEMBLY RECOMMENDATIONS: All the "COMPACT" series modules can be fitted on different types of flush-boxes (cases 1, 2 and 3 indicated below), for which we have 3 types of front frames, which are supplied separately.**

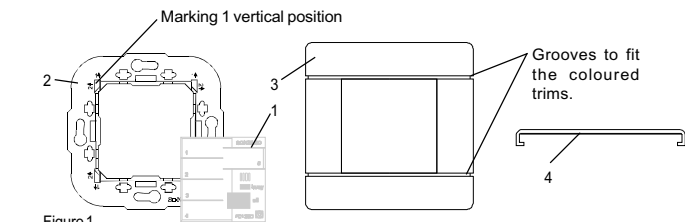


Figure 1  
**KC9200-01 (WHITE) KC9200-02 (ANTHRACITE GREY)**

**1 - FRONT SQUARE FRAME FOR UNIVERSAL BOX:** To assemble the control correctly, place the base plate as shown in figure 1, with the bulge of the reinforcing rib towards the side where the control is inserted.

In this position, gently place control (1) over base plate (2) until a click is heard. After connecting and carrying out operation tests, secure the base plate on to the flush-box.

Finally fit the outside frame (3) pressing on the base plate, until it is correctly adjusted. If trims (4) are mounted, do this before fitting the frame, first inserting one of the ends into the groove and pressing to insert it completely.

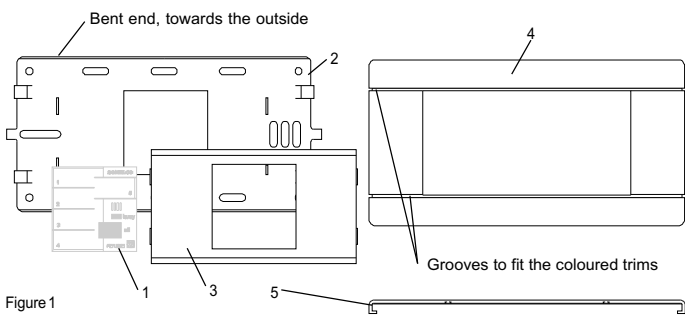


Figure 1  
**KC9201-01 (WHITE) KC9201-02 (ANTHRACITE GREY) KC9201-03 (TWO TONE)**

**2 - RECTANGULAR FRONT FRAME FOR "SONELCO" BOX 4901 or DOUBLE UNIVERSAL BOX (Adaptation for 1 module):** To assembly the control, place the base plate as shown in figure 1, with the bent edge towards the side where the control is inserted.

In this position, gently place control (1) over base plate (2) until a click is heard. Then fit adapter (3) onto the control and press onto the base plate until another click is heard. After making the connection and carrying out the operation tests, secure the base plate onto the flush-box.

Finally fit the outside frame (4) pressing on the base plate until it is adjusted. If trims (5) are mounted, do this before fitting the frame, first inserting one of the ends into the groove and pressing to insert it completely.

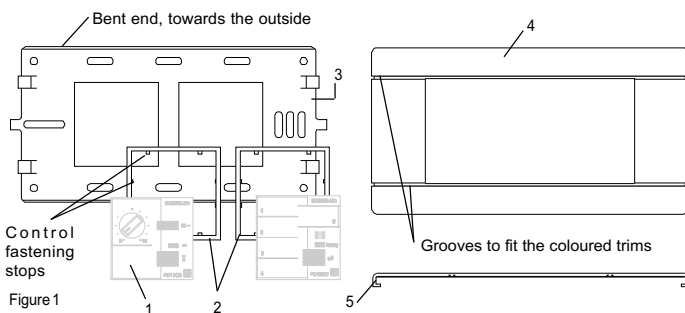


Figure 1  
**KC9202-01 (WHITE) KC9202-02 (ANTHRACITE GREY) KC9202-03 (TWO TONE)**

**3 - RECTANGULAR FRONT FRAME FOR "SONELCO" BOX 4901 or DOUBLE UNIVERSAL BOX (Adaptation for 2 modules):** To assembly the control correctly, place the base plate as shown in figure 1, with the bent edge towards the side where the control is inserted.

In this position, gently place control (1) onto base plate (2), until a click is heard. Then fit adapter (3) onto the control and press onto the base plate until another click is heard. After making the connection and carrying out the operation tests, secure the base plate onto the flush-box.

Finally fit the outside frame (4) pressing on the base plate until it is adjusted. If trims (5) are mounted, do this before fitting the frame, first inserting one of the ends into the groove and pressing to insert it completely.