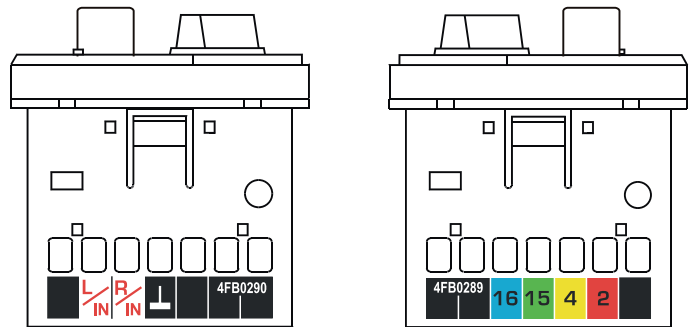
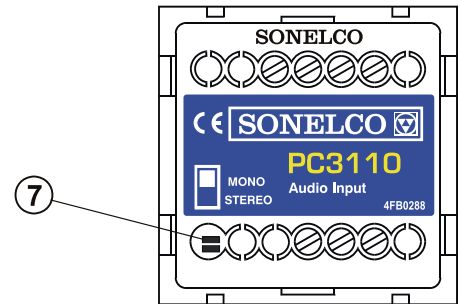


INPUT MODULE PC3110 1 STEREO CHANNEL

4FA019702



1 – L and R audio input jack. 2 – Audio input level selection switch. 3 – Audio output level regulation. 4 – Red LED, Low. 5 – Green LED, OK. 6 – Red LED, High. 7 – MONO/STEREO selector switch.



DESCRIPTION

Module to regulate the input level from an external sound source, with RCA type front audio inputs, or rear with screws strips.

GENERAL CHARACTERISTICS

- Compact 45X45 series module.
- RCA type front audio inputs: L left, R right (L and R)
- Front selector switch to select the input level of the audio signal: (High and Low).
- Front potentiometer to regulate audio output level with indication of audio output level regulation by means of 3 LED diodes.
- Rear Mono/Stereo selector switch
- Connection to line with screwed connection strips.
- Internal protection against connection with polarity inversion.
- Audio outputs protected against short-circuits.

CONNECTION

Before proceeding to make the connection, make sure that the power supply unit is off. Insert the control in the metal base plate and make the connection according to the following indications:

TERMINALS:

- 2 - Input + 16V Supply
- 4 - Chassis ground
- 15 - Audio output, left-hand channel – 3 V RMS max.
- 16 - Audio output, right-hand channel – 3 V RMS max.
- L/IN - Rear audio input, left-hand channel (from external source)
- R/IN - Rear audio input, right-hand channel (from external source)
- ⊥ - Audio input chassis ground.

The external sound source (music equipment, tuner, CD, etc.) will normally be connected to the front L/R jacks, but if you wish the connection to be made by rear wiring, this can be done through the rear L and R inputs.

The rear L and R terminals and front L and R jacks are the same, so they must not be connected at the same time.

NOTE: The wiring of the system must be installed separately from the electricity supply network, according to regulations.

OPERATION

Verify the position of the MONO/STEREO selector switch (7). If your installation is Mono put it on MONO.

Once the connection has been made, switch the power supply on and make sure that a sound source is connected to the module.

In order to regulate the audio level as easily as possible, the module has a front selector switch to adapt to the audio signal input level, a front regulator potentiometer and 3 LEDs indicating the audio output level.

If the audio input signal level is less than 1V place the front selector switch in L position (low). If it is higher than 1V (speaker outputs) put it in H position.

After selecting the input level make adjustments with the front potentiometer until the OK green LED stays on. The High and Low red LEDs will light up according to the transitions of the sound source and the beat of the music.

When the audio disappears or the level goes down, the red LED will light up.

Note: If, when there is an audio signal, you do not manage to regulate the level with the potentiometer, until you manage to get the green LED to light up, review the position of the front level selector switch

TECHNICAL CHARACTERISTICS

Supply voltage: 16 V DC

Consumption:

Max: 63 mA (Zs=1K5),

Standby (no signal): 20 mA

Audio output level: 3 V ms Distortion < 1%

Frequency response: 12 Hz – 23 KHz (-3dB)

Signal/Noise ratio: > 72dB

Input sensitivity (Terminal 5,6)

- with level selector switch in L position: 250 mV

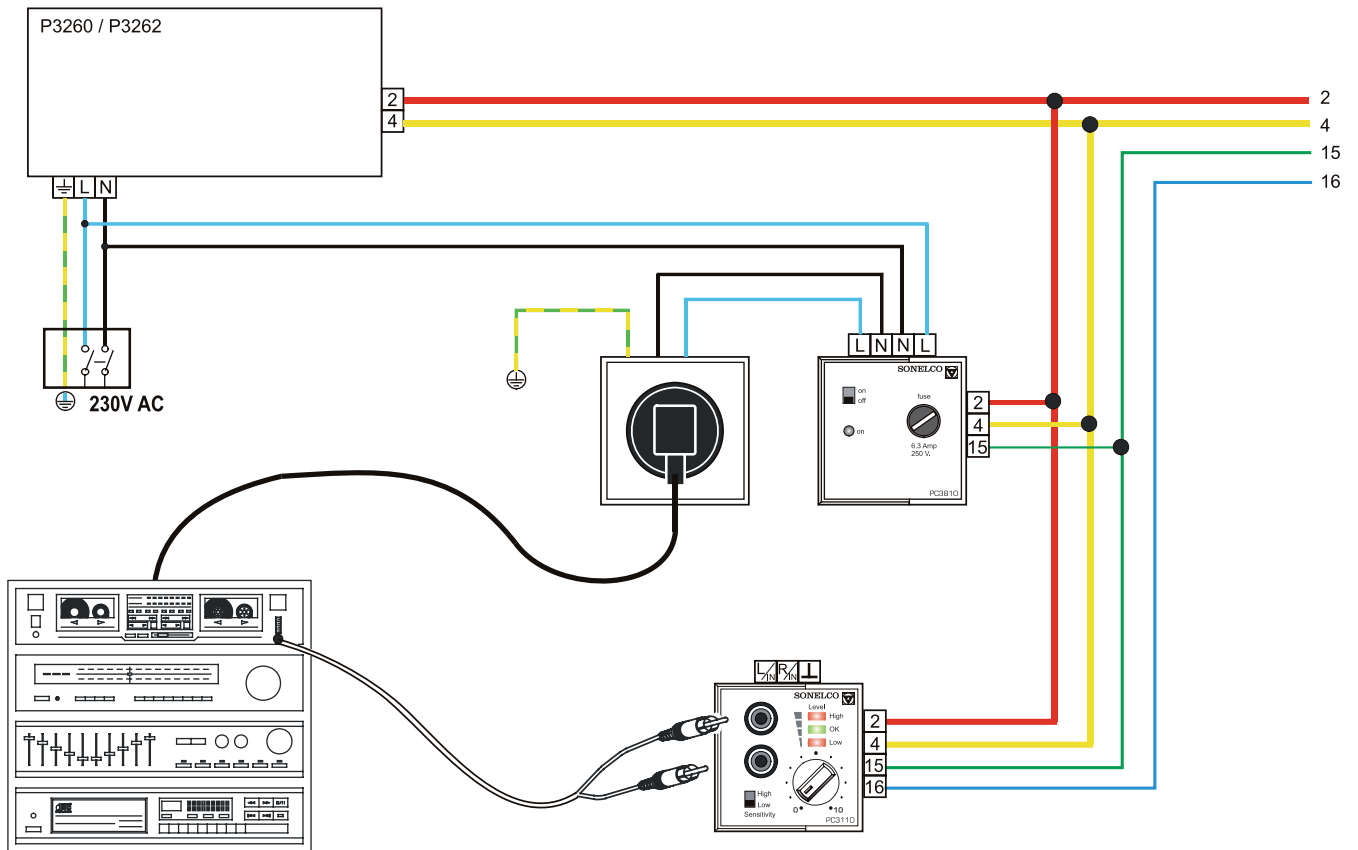
- with level selector switch in H position: 1000mV (1V)

Crosstalk between L and R channels: -50dB

Dimensions: (L x W x D): 45x45x45 mm.

Weight: 50 grs.

INSTALLATION EXAMPLE



ASSEMBLY RECOMMENDATIONS: All the "COMPACT" series modules can be placed over the various types of embedded boxes, for which we have various types of front frames that are delivered separately.

For further details please see www.sonelco.com