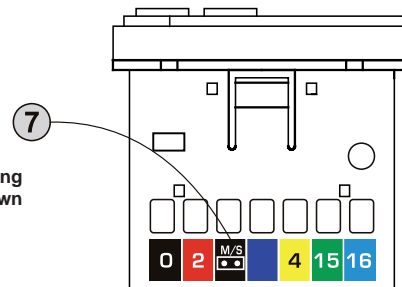
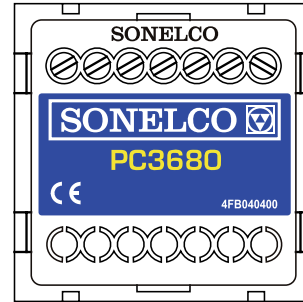


1 - Front slot. 2 - Random sequence play button. 3 - Return to previous recording button. 4 - Forward to following recording button. 5 - Pause/play (push down briefly) button, and ON/OFF button (keep pushed down). 6 - Status indicator Led. 7 - Bridge



### DESCRIPTION

MP3 memory card type SD or MMC Playing module.  
Provides a stereo audio channel for the installation.

### GENERAL CHARACTERISTICS

- +15V Supply.
- Compatible with SD and MMC cards
- Supports MP3 formats (SD Specifications 1.0 / ISO11172-3 / ISO13818-3 Layer III)
- Supports sample frequencies 16/22.05/24/32/44 KHz
- Status indicator Led  
**Off** – Switched off  
**On** - Sequential Play Mode)  
**Flashing** – Random Play Mode
- Front keypad  
>> Next  
<< Previous  
II/> **Push down briefly** Pause-Play.  
**Keep pushed down** On/Off  
**RAN/SEQ** Random-sequential play
- Terminal input "0" to activate >> **Next**

### CONNECTION

Before connecting the device, ensure that it is not connected to the mains supply. Insert the control in the metal chassis and connect up in accordance with the following instructions:

#### TERMINALS

- 0 - activation >> **Next**. Connect to Scan line.
- 2 - Input +15V Supply
- 4 - Earth
- 15 - Left audio channel output
- 16 - Right audio channel output

**Bridge** - Mono/Stereo

**WARNING: The system cabling should be installed separately from the mains electricity supply in accordance with regulations.**

### OPERATION

Once the connections have been made, switch on the control device and **place the card you wish to play in the front slot (1).**

**To switch on keep the II/>button pressed down (5) until the front Led lights up (6).**

Select the RAN/SEQ play mode.

The front Led will flash in the random mode

To change to the following recording press >> 4)

To go back to the previous recording press << 3)

If you wish to pause, press II/> (5) briefly.

Press down once again to return to play.

To switch off or switch on, keep the II/> (5) button pressed down

The MP3 player is originally set on stereo mode, should you want to set it on mono mode, please insert the bridge (7).

### TECHNICAL CHARACTERISTICS

Vccmax: 16 V DC

Consumption: Max= 300 mA, Min= 9mA Audio output level (nom) :1.5-2V RMS Output impedance :100 Ohm.

Card type: SD or MMC

Supports MP3 formats (SD Specification 1.0 / ISO11172-3 / ISO13818-3 Layer III)

Supports sample frequencies 16/22.05/24/32/44 KHz

**Dimensions: (L x H x D): 45x45x45 mm.**

**Weight: 53 grammes.**

#### MEMORY CARD SD and MMC, recommended model: KSD9001



#### IMPORTANT:

**Push the SD/MMC card to take it out. Never pull from it, you could harm the MP3 reader, and its repair is not under guarantee.**

#### IMPORTANT:

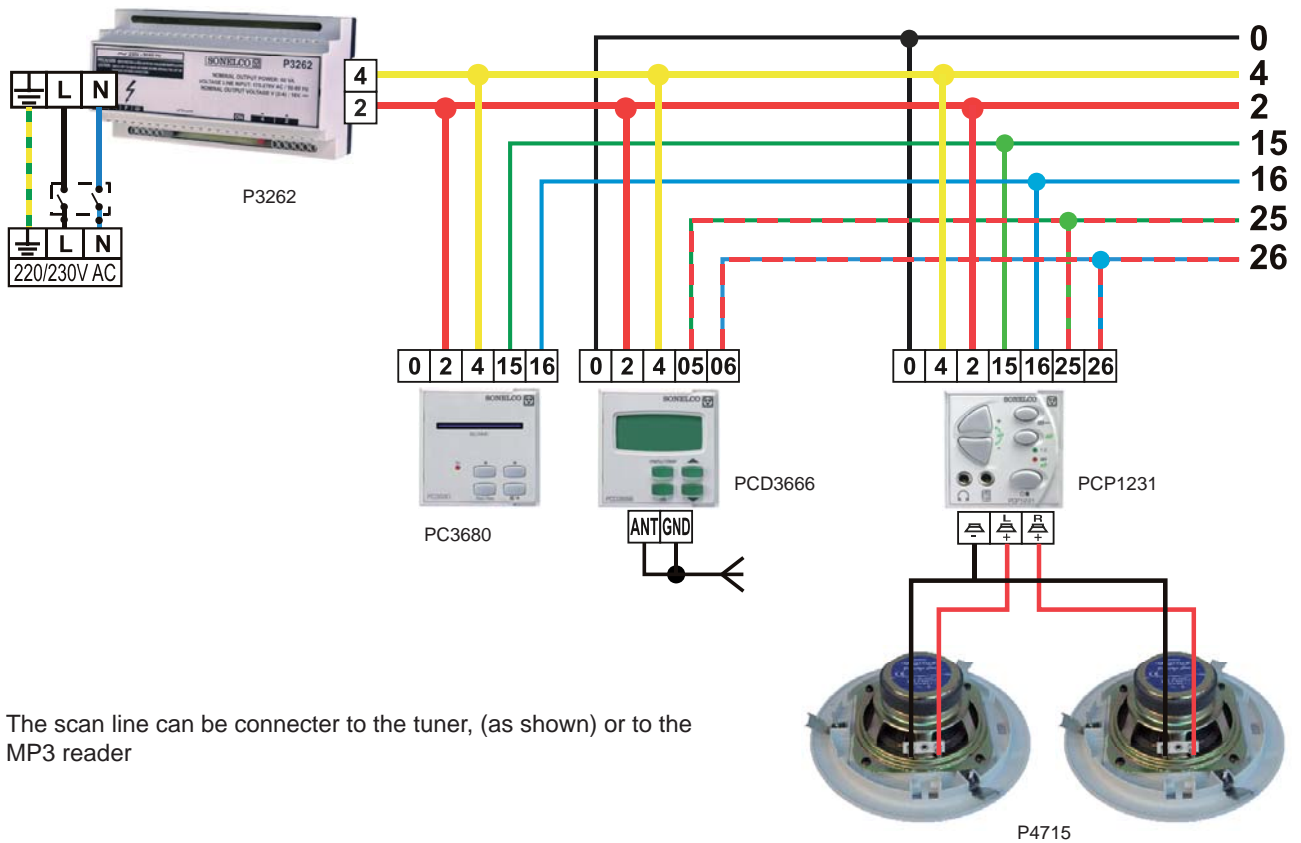
Compatible SD cards

The MP3 player PC3680 is compatible with cards SD standard and MMC, although Sonelco cannot guarantee that all of them will function in the same way. Thus, the transfer speed of the card and its used memory can influence the functioning of the player.

Almost all the cards with capacity up to 512 MB work correctly, obtaining the maximum features of the player.

With regards to the 1GB cards, if the used memory exceeds 512 MB, it may happen that the audio output is lower than normal. In that case, if you want a maximum audio level, please proceed to format the card again and record only up to 512 MB,

## SAMPLE INSTALLATION



The scan line can be connected to the tuner, (as shown) or to the MP3 reader

**ASSEMBLY RECOMMENDATIONS:** All the "COMPACT" series modules can be placed over the various types of embedded boxes, for which we have various types of front frames that are delivered separately.

*For further details please see [www.sonelco.com](http://www.sonelco.com)*