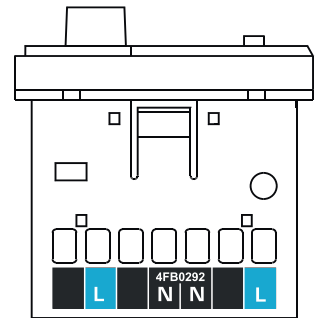
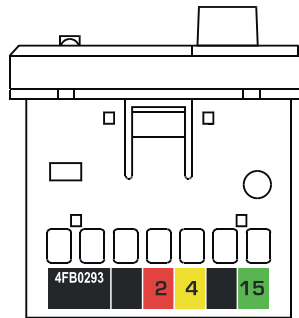
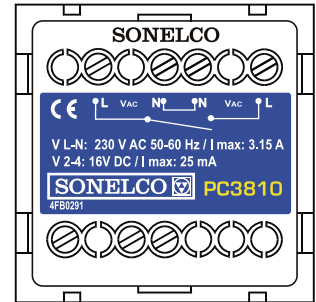




1 – On/Off telecontrol activation switch. 2 – Telecontrol activation indicator LED. 3 – Fuseholder for 3.15A fuse.



DESCRIPTION

Module to telecontrol the electricity supply to an external sound source. It is activated when a control on the audio system is switched on or locally with the on/off front switch.

CARACTERISTICAS GENERALES

- Compact 45x45 series module.
- Mains input and output by rear strip (7.5mm pitch).
- Internal high current relay for mains voltage selection.
- Relay activation by voltage telecontrol signal (lines 4 and 5)
- Front switch for local/remote activation (on/off)
- Connection to line by means of strips with screw connection.
- Protection fuse 3.15 A with officially approved screw plug fuseholder

WARNING!

Before making the connection make sure that the general switch of the system is disconnected and check before handling the network cables that it has no electricity.

CONNECTION

Make the connections indicated below

TERMINALS:

- 2 - Input + 16 V Supply
- 4 - Chassis ground
- 15 - Input to activate telecontrol. Connection to 5 audio line
- L, N - Strips to connect network: 220AC
- N, L - Network output strips: 220 V AC.

The internal relay of the module only commutates one phase, L phase, to ON/OFF by means of the telecontrol signal (line 5 and 4 chassis ground). Install the external socket outlet close to the music equipment, which we want to switch on by telecontrol.

Connect the electric network, input terminals L, N of module PC3810 and connect the other two terminals L and N of the module to the telecontrolled socket outlet that we will connect the sound source to.

NOTE: The wiring of the system must be installed separately from the electrical network, according to regulations.

OPERATION

The object of the telecontrol module is to control the electric network supply to an external socket outlet, which we are going to connect a piece of audio equipment to, by means of an internal relay of the module, which acts as a switch. This relay is controlled locally by means of the on/off front switch or else remotely, when the switch is in off position, by means of a telecontrol signal, which occurs when any control of the system is switched on.

After making the connection switch the general switch of the system on. Verify that the power supply is on and place the front selector switch in off position, checking that the "on" indicator diode is off.

Connect the music equipment to the telecontrolled socket outlet and check that the music equipment does not come on because there is no electricity. Turn the front selector switch of the module on. The front on LED will come on and you may switch the equipment on.

Turn the front switch off, and the front LED will go off. Check that the module is activated when a control of the system is switched on, the front diode of the module coming on and being able to switch the music equipment on because network voltage reaches its socket outlet.

TECHNICAL CHARACTERISTICS

Supply voltage: 16 V DC

Max. consumption: 30 mA

Telecontrol voltage: 6 Vdc

Maximum Power to be commutated (L-N) = 750 VA

Internal fuse type 250V/3. 15A Retarded

Dimensions: (LxWxD): 45x45x5 mm (Weight: 48 grs.)

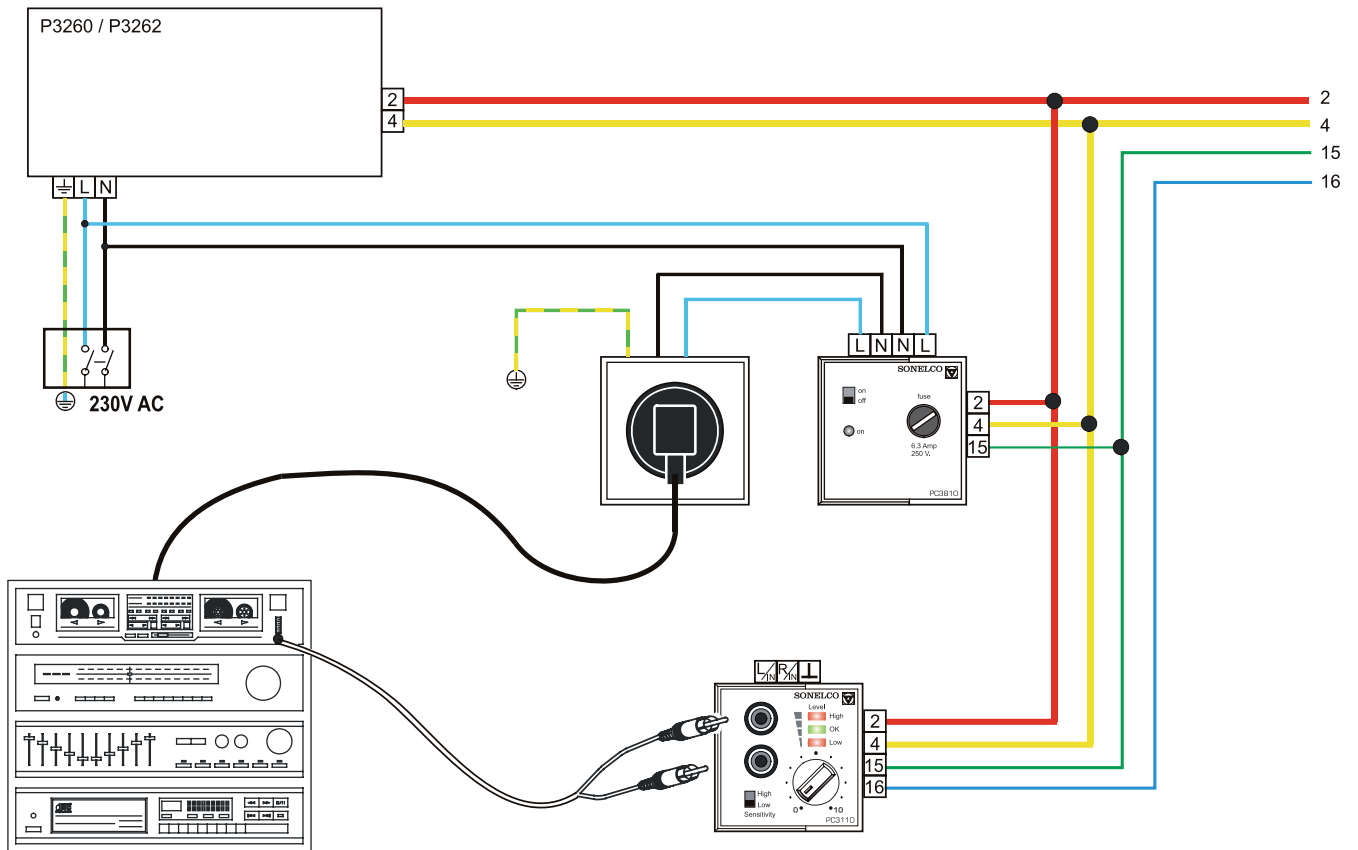
INSTALLATION RECOMMENDATIONS

Do not place this product in damp places, close to heat sources or in potentially explosive atmospheres.

The connection to the electric power network, installation, cable section and system of conduits will be done in accordance with the specified guidelines and standards of each country.

Sonecco recommends installing a specific general switch for the sound system. (See installation example)! **Sonecco declines any responsibility that might be derived from the improper use of the product or system, which are not in accordance with the recommendations.**

INSTALLATION EXAMPLE



ASSEMBLY RECOMMENDATIONS: All the "COMPACT" series modules can be placed over the various types of embedded boxes, for which we have various types of front frames that are delivered separately.

For further details please see www.sonelco.com