

1 – Mic, internal microphone 2 – M1-M4, active message number leds 3 – Rec, recording led 4 – Play, Play led 5 – Mic, recording from microphone selection led 6 – Line, recording from external line selection led 7 – Input Level, potentiometer to adjust external line recording level 8 – Microphone/Line symbol, 3.5 mm connector jack for microphone input or external line 9 – Mx, message change button 10 – Mic/Line, change between recording from microphone or external line button 11 – Rec/Play, change between recording and reproduction button 12 – Start/Stop, start/finish recording/reproduction message button 13 – Bell symbol, switching notice signal before message yes/no. 14 – Output level adjustment.

### DESCRIPTION

Records and reproduces 4 different messages of up to 30 seconds in length each, with or without a notice signal. The messages can be reproduced manually or as a response on closing an external contact.

### GENERAL CHARACTERISTICS

- The recording of messages can be carried out from the internal microphone, from an external microphone (dynamic or Electret with incorporated power supply) or from an outside audio source at line level.
- Rear switch to select if a notice signal should be generated before reproducing the message.
- Rear potentiometer to adjust output level.
- Relay that stays closed during the reproduction of a message

### CONNECTION

Before connecting the device, ensure that it is not connected to the mains supply. Insert the control in the metal chassis and connect up in accordance with the following instructions:

#### TERMINALS

- 2 Input +16V Supply.
- 4 Earth
- 9 Transmission general call to use PC5510 with non compact duo modules
- 7 Warning audio output
- Rel+ PCD3818 terminal 1 for use with PC5510 with compact domo modules
- Rel- PCD3818 terminal 4 for use with PC5510 with compact domo modules
- M1 One of the contact poles to launch message 1
- M2 One of the contact poles to launch message 2
- M3 One of the contact poles to launch message 3
- M4 One of the contact poles to launch message 4
- CM The other contact poles to launch message 1, 2, 3 or 4

**WARNING: The system cabling should be installed separately from the mains electricity supply in accordance with regulations.**

### OPERATION

On connecting the module as indicated in the connection section, the M1 (2) and Play (4) leds will light up, indicating that it is in message 1 reproduction mode.

#### How to record a message:

Select the message, M1, M2, M3 or M4 (2) that you wish to record indicated with a green led, by pressing on button Mx (9), and then select the recording mode using the Rec/Play (11) button, selecting Rec (3), indicated with a red led, and then select the audio source, Mic (5) for the microphone, or the external line, Line (6), using the Mic/Line (10) button, in the case of selecting Mic (5), the message can be recorded by means of the internal microphone (1), or from a microphone inserted in the connector (8).

If we choose to select Line (6), the message can be recorded from an external audio source inserted in the connector (8), once the required mode has been selected the recording of the message is carried out by means of the Start/Stop (12) button, the red led Play (4) lighting up until the end of the recording of the message.

If you wish to stop the recording before the end of the 30 seconds corresponding to the maximum length of each message, the Start/Stop (12) button has to be pressed again.

#### How to play a message:

Select the message, M1, M2, M3 or M4 (2) that you wish to play by using the Mx (9) button, and then select the playing mode using the Rec/Play (11) button, selecting Play (4), indicated with a green led, starting playing by means of the Start/Stop (12) button, the red led Rec (3) lighting up until the end of the playing of the message.

If you wish to stop playing the message, the Start/Stop (12) button has to be pressed again.

If on starting the playing of the message you wish to give notice with a Ding-Dong this has to be selected by using the switch (13), and the output level can be adjusted by using the potentiometer (14).

#### How to play a message from another device:

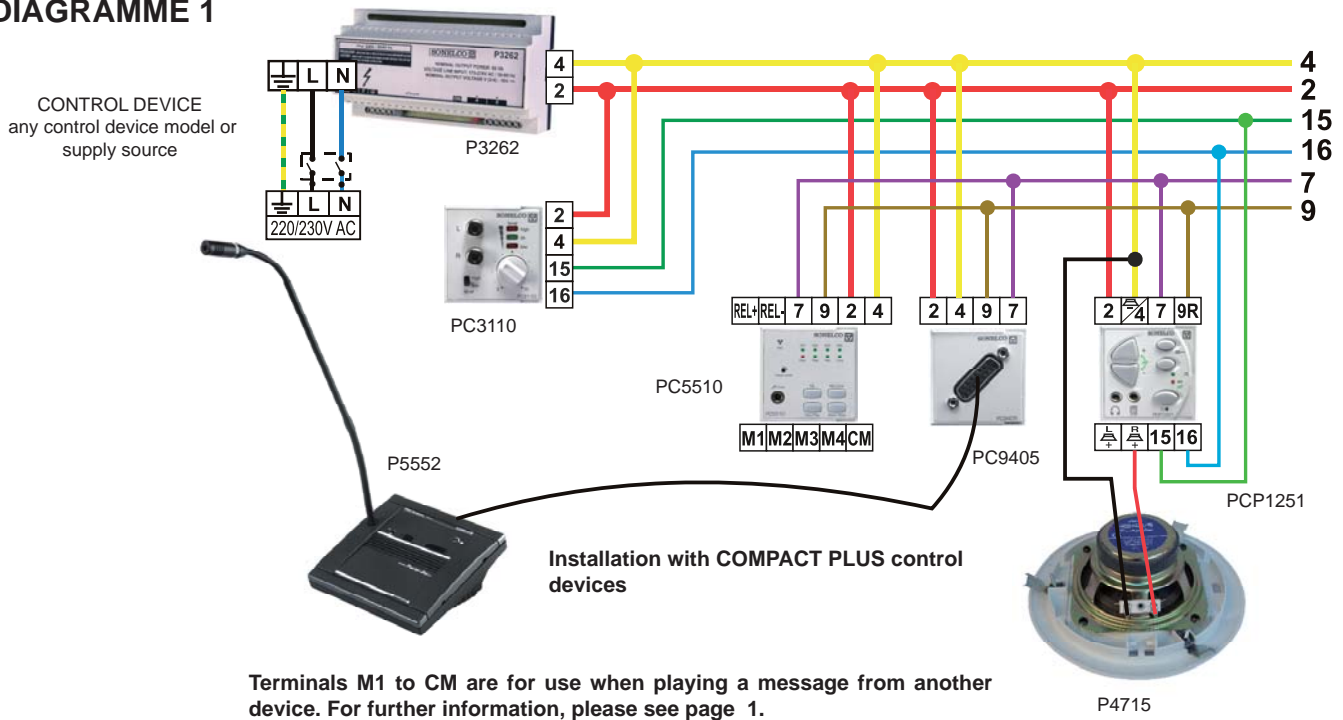
For example to play message M1 from another device, such as a time programmer, presence detector, etc., the device should be connected to terminals M1 and CM (For the case of messages 2, 3 and 4 the procedure is the same but changing M1 with M2, M3 or M4.)

# TECHNICAL CHARACTERISTICS

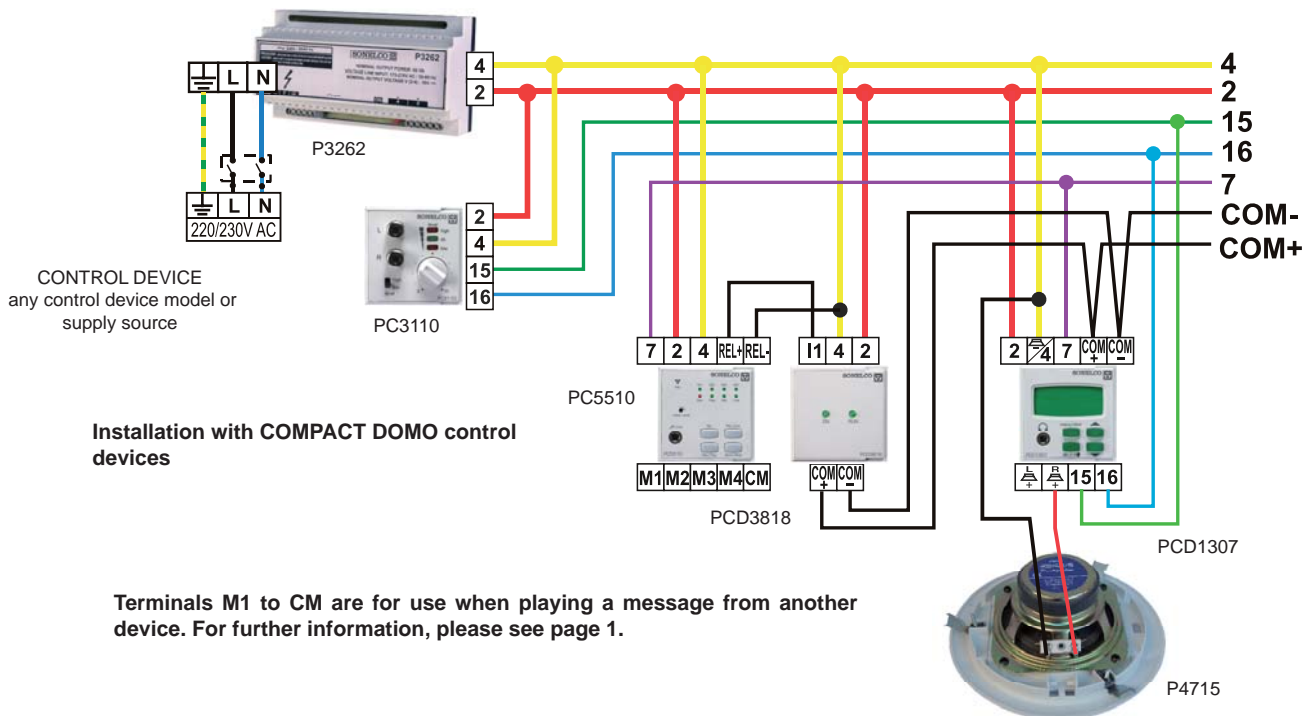
Supply voltage: 16VDC  
 Standby consumption: 45 mA  
 Maximum consumption: 80 mA

## INSTALLATION EXAMPLES

### DIAGRAMME 1



### DIAGRAMME 2



**ASSEMBLY RECOMMENDATIONS:** All the "COMPACT" series modules can be placed over the various types of embedded boxes, for which we have various types of front frames that are delivered separately. *For further details please see [www.sonelco.com](http://www.sonelco.com)*