

Figure A

DETAIL OF THE  
SPEAKER  
MODULE PC7110  
IN PACKAGING  
POSITION

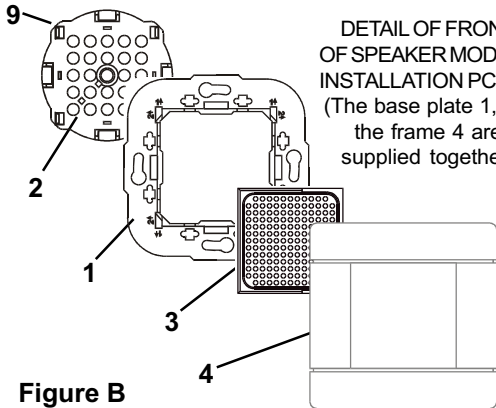


Figure B

DETAIL OF FRONT  
OF SPEAKER MODULE  
INSTALLATION PC7110  
(The base plate 1, and  
the frame 4 are  
supplied together)

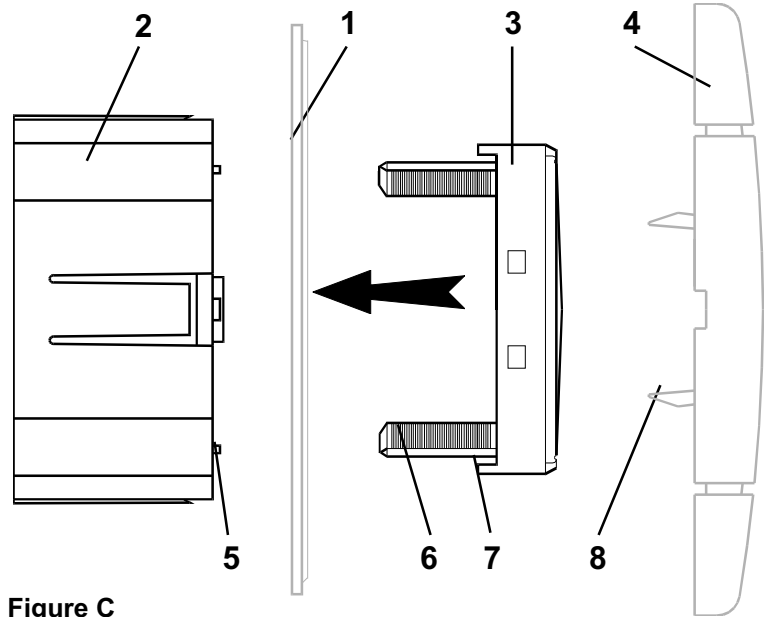


Figure C

### STANDARD FITTING OF 2" SPEAKER – PRELIMINARY OPERATIONS

#### **FITTING WITH "SONELCO" BASE PLATE AND FRAME**

For correct fitting and adjustment, cut the 4 lugs (7) of the front grid (3) and the 2 lugs (8) of frame (4)

#### **ADAPTATIONS ON SIMON MECHANISMS**

For the model of series 29, the 4 lugs (7) of front grid (3) must be cut.

For models of series 75, 27 and 31, they are fitted directly, no handling being necessary.

#### **ADAPTATIONS ON BJC MECHANISMS**

For models of SOL TEIDE and MAR IBIZA series, they are fitted directly, no handling being necessary.

#### **ADAPTATIONS ON NIESSEN MECHANISMS**

For models of series STYLO, LISSA and LX, the 4 lugs (7) of front grid (3) must be cut.

For the model of ARCO series, it is fitted directly, no handling being necessary.

#### **ADAPTATIONS ON LEGRAND MECHANISMS**

For the model of series MOSAIC 45, the 4 lugs (7) of the front grid (3) must be cut.

#### **ADAPTATIONS ON TICINO MECHANISMS**

For models of LIVING INTERNACIONAL and LIGHT series, they are fitted directly, they leave the factory especially adapted.

#### **ADAPTATIONS ON EUNEA MECHANISMS**

For the models of SM100, SM200, TURIA, NILO and VOLCAN series, the 4 lugs (7) of the front grid (3) must be cut.

### FITTING OF 2" SPEAKER – PC7110

For correct fitting, position the base plate (1) on the casing (2), centring it between the adjustment lugs (5) as shown in figure C.

Then in this position the front grid (3) is fitted, coupling base plate and casing in a joint block, fitting the lugs (6) into the grooves (9) of module 2 (see figure B)

After making the connection and performing the operation tests, secure the base plate on the flush-mount box.

Finally place the outside frame (4) pressing on the base plate, until it adapts perfectly.

**FITTING RECOMMENDATIONS: All the modules of the “COMPACT” series can be placed in different types of flush-mount boxes (cases 1, 2, 3 and 4 indicated below) for which we have 4 types of front frames, which are supplied separately.**

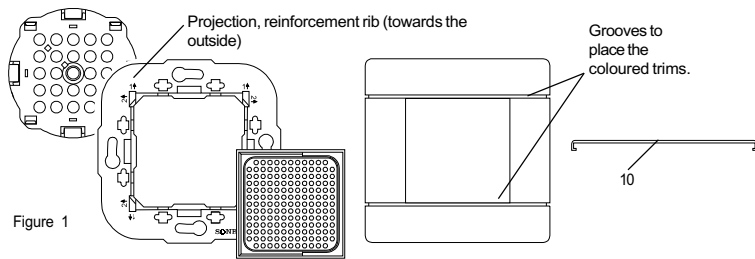


Figure 1  
 KC9200-01 (WHITE)    KC9200-02 (CHARCOAL GREY)

**1 – SQUARE FRONT FRAME FOR UNIVERSAL BOX:** For correct fitting of the control, position the base plate as shown in figure 1, with the reinforcement rib towards the side where the control is inserted.

In this position, follow the instructions of page 1. Finally place the outside frame (4) pressing on the base plate, until it adapts perfectly. If fitting trims (10), do so before placing this frame, first inserting one of the ends into the groove and then pressing to insert it completely.

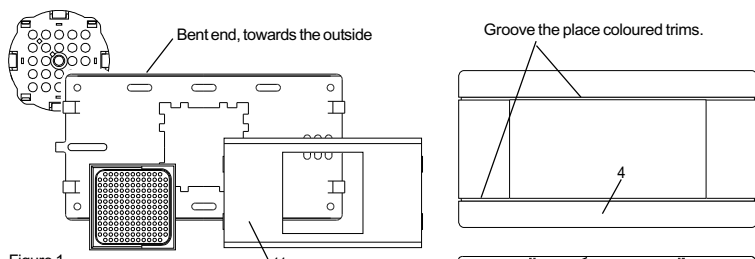


Figure 1  
 KC9201-01 (WHITE)    KC9201-02 (CHARCOAL GREY)    KC9201-03 (BI-TONE)

**2 - RECTANGULAR FRONT FRAME FOR “SONELCO” 4901 BOX or DOUBLE UNIVERSAL BOX (Adaptation for 1 module):** For correct fitting of the control, position the base plate as shown in figure 1, with the bent end towards the side where the control is inserted.

In this position, follow the instructions of page 1. Then fit the adaptor (11) on the control and press on the base plate until you hear a new click. After making the connection and performing operation tests, secure the base plate onto the flush-mount box.

Finally place the outside frame (4) pressing on the base plate, until it adapts perfectly. If fitting trims (10), do so before placing this frame, first inserting one of the ends into the groove and then pressing to insert it completely.

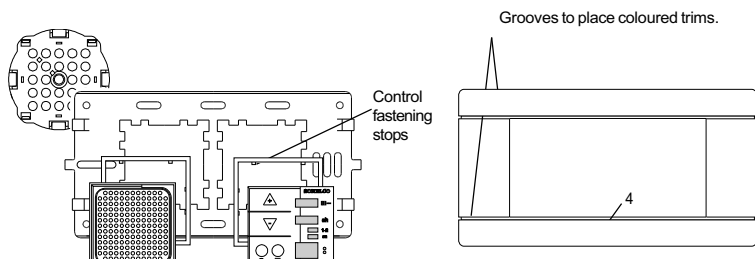


Figure 1  
 KC9202-01 (WHITE)    KC9202-02 (CHARCOAL GREY)    KC9202-03 (BI-TONE)

**3 - RECTANGULAR FRONT FRAME FOR “SONELCO” 4901 BOX or DOUBLE UNIVERSAL BOX (Adaptation for 2 modules):** For correct fitting of the control, position the base plate as shown in figure 1, with the bent end towards the side where the control is inserted.

In this position, follow the instructions of page 1. The controls must fit into the adapter frame (11) until they adapt perfectly into the fastening stops. Then fit them onto the base plate (3), gently, until you hear a click. After making the connection and performing operation tests, secure the base plate onto the flush-mount box.

Finally place the outside frame (4) pressing on the base plate, until it adapts perfectly. If fitting trims (10), do so before placing this frame, first inserting one of the ends into the groove and then pressing to insert it completely.

IN THIS CASE THE BASE PLATES ARE SUPPLIED SEPARATELY, INCLUDING THE NECESSARY ADAPTORS IN EACH CASE

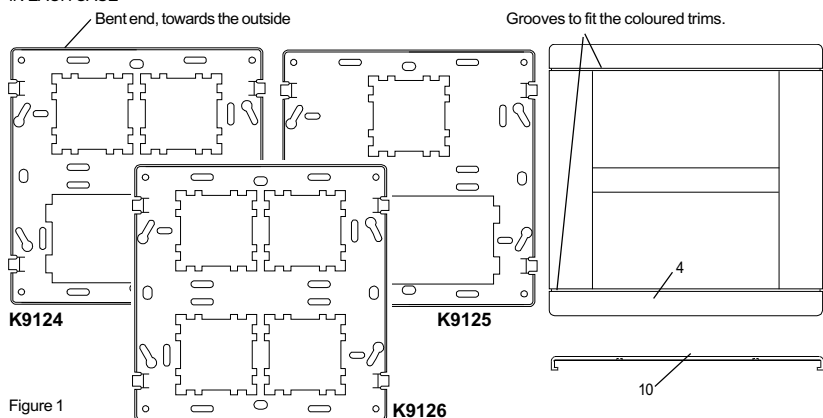


Figure 1  
 KM9210-01 (WHITE)    KM9210-02 (CHARCOAL GREY)    KM9210-03 (BI-TONE)

**4 – SQUARE FRONT FRAME FOR “SONELCO” BOX P9002 (Base plate especially designed to combine the Compact series with the rest of the “Prestige Line” range):** For correct fitting, follow the instructions on page 1 and the rest of the previous cases.

Finally place the outside frame (4) pressing on the base plate, until it adapts perfectly. If fitting trims (10), do so before placing this frame, first inserting one of the ends into the groove and then pressing to insert it completely.