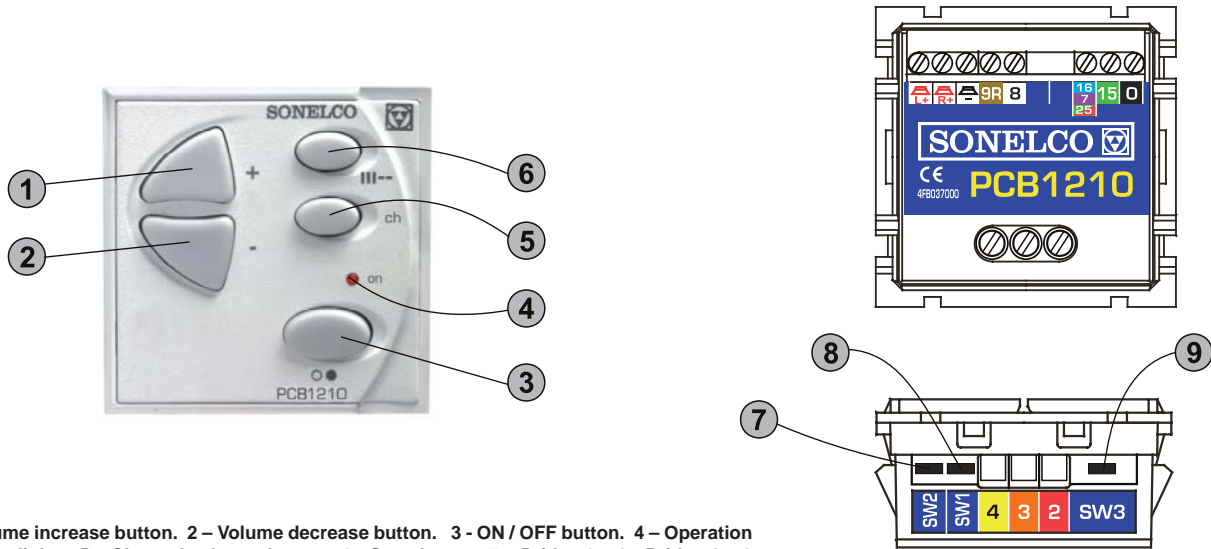


DIGITAL ADJUSTMENT CONTROL DEVICE PCB1210

1 Stereo channel / 2 Mono Channels / 1 Mono channel + Warning reception

4FA025301



1 – Volume increase button. 2 – Volume decrease button. 3 – ON / OFF button. 4 – Operation indicator light. 5 – Channel selector button. 6 - Scan button. 7 – Bridge 2. 8 - Bridge 1. 9 - Bridge 3.

DESCRIPTION

Amplifier control 1+1W, with digital volume control, SCAN and channel change (in mode 2 mono channels)

3 possible operating modes using the configurable bridges

SW1/SW2/SW3 :

- Mode 1 - 1 stereo channel (Without bridges)**
- Mode 2: 1 mono channel + Warnings..... (Bridge SW2+SW3)**
- Mode 3 - 2 mono channels..... (Bridges SW1 y SW3)**

GENERAL CHARACTERISTICS

- Electronic ON / OFF switch.
- LED type operation indicator light.
- 32-step digital volume control button with volume memory (only with the device switched on).
- Stereo amplifier +1W with standard 8-Ohm loudspeaker outlet.
- SCAN function (remote change of radio transmitter in a SONE LCO tuner)
- Voltage remote control.

CONNECTION

Configure the **SW1/SW2 and SW3** bridges in accordance with required mode. Before connecting the device, ensure that it is not connected to the mains supply. Insert the control in the metal chassis and connect up in accordance with the following instructions:

TERMINALS

- 0 - SCAN. Connect to the Scan line.
- 2 - Input +16V supply
- 3 - Output +16V after the switch
- 4 - Earth
- 15 - Left audio input channel or Channel 1
- 16/25/7 - Audio input depending on operation mode
- Mode 1 (1 Ch/St) :16.- Right channel audio input
- Mode 2 (1Ch/ M+ Av) : 7.- Audio input warning
- Mode 3 (2 Ch/M) : 25.- Channel 2 audio input
- 8 - Input area
- 9R- LLG input
- L+ - Left loudspeaker output
- R+ - Right loudspeaker output
- - Common loudspeaker earth

WARNING: The system cabling should be installed separately from the mains electricity supply in accordance with regulations.

OPERATION

Once the connections have been made, switch on the device and check that a source of audio is connected to the same, (a tuner or other external source of music).

Mode 1 - 1 Ch/St (Without bridges)

- Turn on or off: press on/off (3) and check that the LED lights up (4) .
- To adjust the volume press + (1) / - (2), the led (4) will flash
- The flashing will stop when we reach the maximum or minimum level. But- ton Ch (5) non-operational

Mode 2 - 1 Ch/M + Av (Bridge (7) SW2+ (9) SW3)

- Turn on or off: press on/off (3) and check that the LED lights up (4)
- To adjust the volume press + (1) / - (2), the led (4) will flash
- The flashing will stop when we reach the maximum or minimum level.
- The control will receive the warnings even though the control is switched off. During warning reception the volume can be adjusted by pressing + (1) / - (2)

Mode 3 - 2 Ch/M (Bridge (8) SW1 and (9) SW3)

- Turn on or off: press on/off (3) and check that the LED lights up (4)
- To adjust the volume press + (1) / - (2), the led (4) will flash
- The flashing will stop when we reach the maximum or minimum level.
- To change channels press Ch. (5)
- If the music signal is coming from a SONE LCO tuner, and the SCAN line is connected, the transmitter can be selected by pressing on SCAN (6).

WARNING: The SCAN mode operation will depend upon the tuner being used. Please read the corresponding tuner Technical Information.

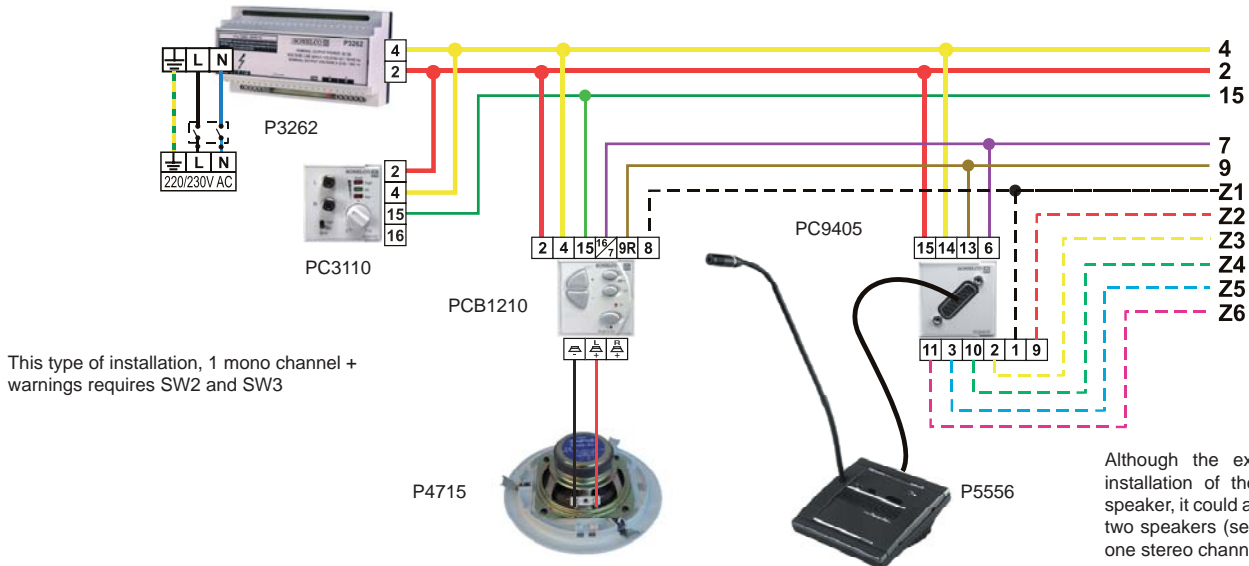
TECHNICAL CHARACTERISTICS

- Supply voltage 16 V DC.
- Consumption: max = 300 mA, min = 9 mA Nominal output power: 1+1W RMS Output Impedance: 8 Ohm
- Maximum output power: 1,5 + 1,5W RMS
- Maximum output current (Terminal 3): 1.5 A.
- Frequency response: 94 Hz-22 KHz. (-3dB).
- Signal/Noise ratio: 65 dB
- Input sensitivity (Terminals 5,6): 1.5 V.

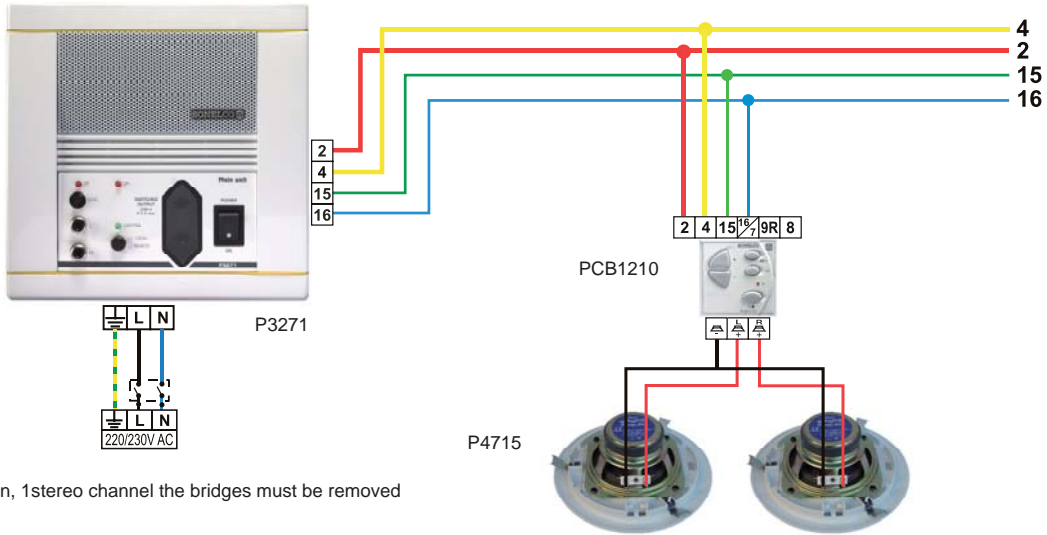
Dimensions: 45x45x26.5 mm. (L x H x D)
Weight: 29 grammes

INSTALLATION EXAMPLES

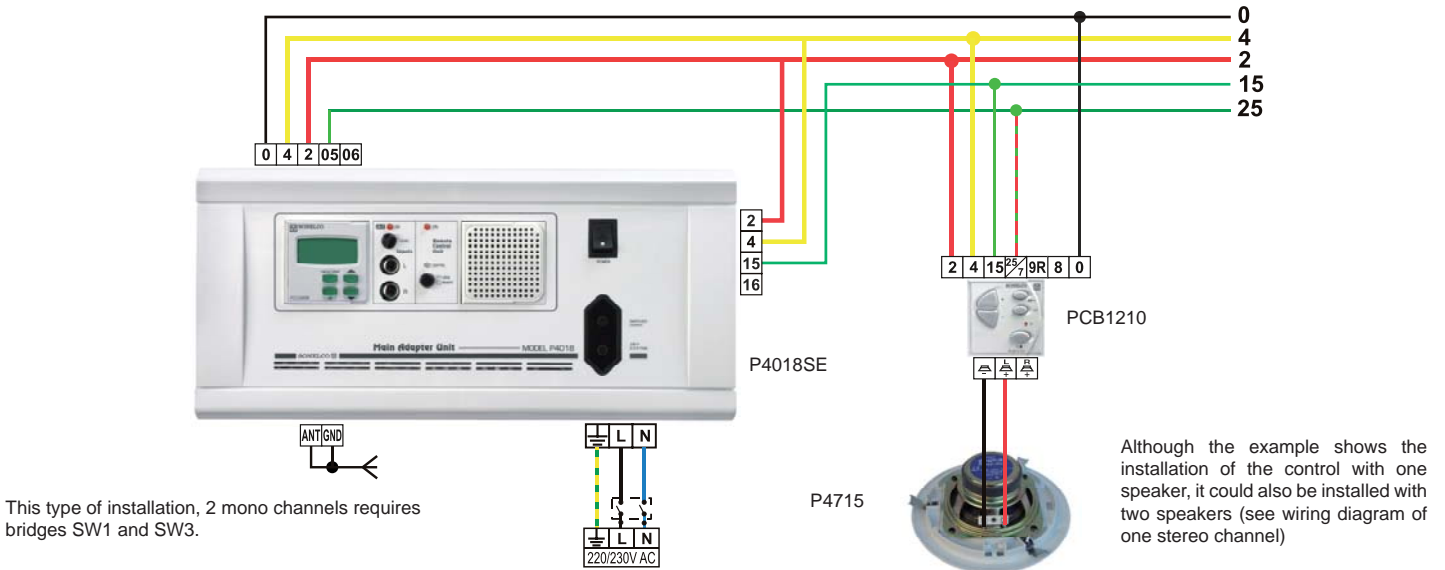
A MONO CHANNEL + WARNING RECEPTION



A STEREO CHANNEL



TWO MONO CHANNELS



ASSEMBLY RECOMMENDATIONS: All the "COMPACT" series modules can be placed over the various types of embedded boxes, for which we have various types of front frames that are delivered separately. THE BASIC COMPACT SERIES CONTROL DEVICES CAN BE ASSEMBLED WITH ALL THE PRESTIGE LINE RANGE OF FRONT FRAMES, WITH THE EXCEPTION OF MODELS KC9300 AND KC9302.
For further details please see www.sonelco.com