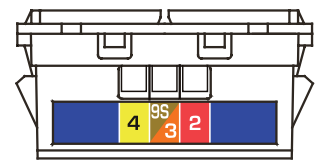
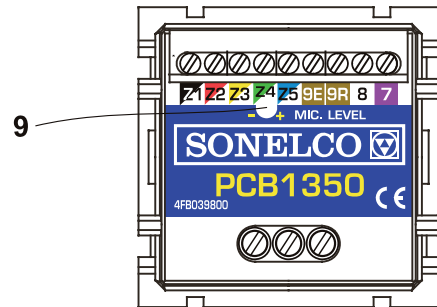


WARNING TRANSMITTER MODULE - PCB1350 GENERAL CALL MORE THAN 5 INDEPENDENT AREAS

4FA035001



- 1 – Call to Area 1 button. 2 - Call to Area 2 button. 3 - Call to Area 3 button. 4 - Call to Area 4 button. 5 – General call button. 6 – Line Engaged indicating light. 7 - Microphone. 8 - Call to Area 5 button. 9 – Microphone adjustment level..



DESCRIPTION

Warning transmitter module for 5 different areas and general calls. Normally used in combination with the PCP1251 or PCB1210 warning receiver control devices, with two objectives: 1- Central warning transmitter. 2- Radial or ring intercommunication (see diagrams). Can also be used as an independent warning transmitter centre, but in this case without any background music or warning reception in said centre. (see attached diagramme)

GENERAL CHARACTERISTICS

- Keypad for calls to 5 different areas.
- Separate button for a general call to the entire installation.
- Line Engaged indicating light.
- High sensitivity microphone incorporated with output level adjustment

CONNECTION

Before connecting the device, ensure that it is not connected to the mains supply. Insert the control in the metal chassis and connect up in accordance with the following instructions:

TERMINALS

- 2 Input +16V Supply
- 3/9S Transmission/reception of warning control output. For connection to the 9R terminal of the attached control device (when connected to a warning reception control device)
- 4 Earth
- 7 Audio warning Input/Output
- Z1 Call to Area 1 output (connect to Area 1 wire)
- Z2 Call to Area 2 output (connect to Area 2 wire)
- Z3 Call to Area 3 output (connect to Area 3 wire)
- Z4 Call to Area 4 output (connect to Area 4 wire)
- Z5 Call to Area 5 output (connect to Area 5 wire)
- 8 Area select input. Connect to assigned area wire Zx (when connected to a warning reception control device)
- 9R General call input. Connect to wire 9 (when connected to a warning reception control device)
- 9E General call output. Connect to wire 9 to transmit a general call or with wire Z0 for star intercommunication.

WARNING: The system cabling should be installed separately from the mains electricity supply in accordance with regulations.

OPERATION

When connected to a warning receiver control device, a call should be made to this area to check that that the warning is heard correctly.

During the reception of the warning, the warning reception indicator (6) Should light up.

To send a warning just push down on any of the area buttons (1,2,3,4 or 5) or the general call button (5) and speak at a distance of between 30 to 40 cm. from the microphone (7).

The microphone level (9) has already been factory adjusted to this distance, but this can be modified by the user to adjust the same to their particular requirements. Warnings can only be transmitted when the Line Engaged LED (6) is off

TECHNICAL CHARACTERISTICS

Supply voltage 16 V DC

Maximum consumption (transmitting calls) : 50 mA

Microphone: Unidirectional directivity

Frequency response: 90 Hz - 16 KHz.

Audio output level (Terminal 7): 3V

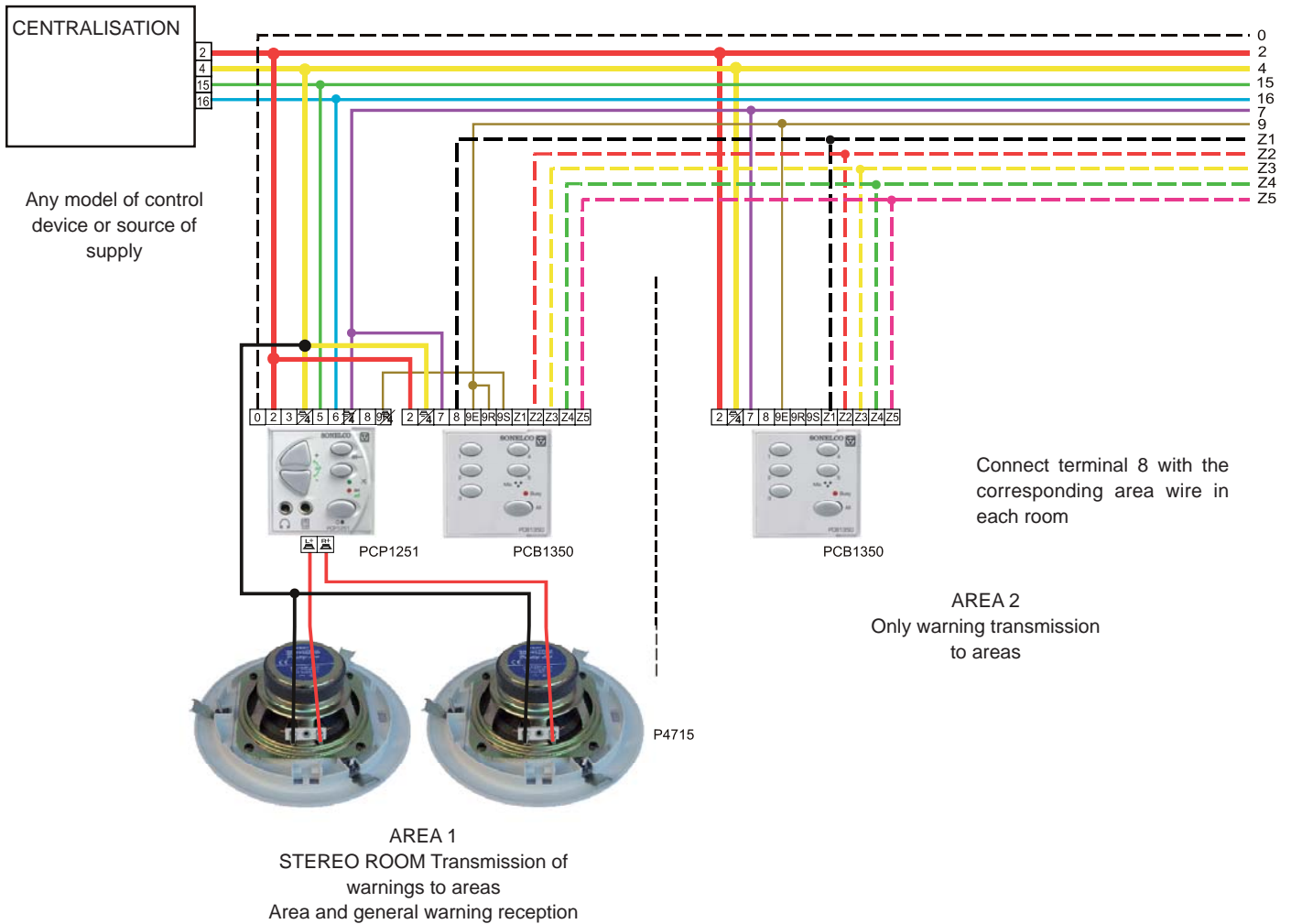
Nominal input level for warning switching: 15V

Nominal output level for calls (general and areas): 15V

Dimensions (L x H x D): 45x45x27 mm.

Weight: 50 grammes

INSTALLATION EXAMPLES



ASSEMBLY RECOMMENDATIONS: All the "COMPACT" series modules can be placed over the various types of embedded boxes, for which we have various types of front frames that are delivered separately.

THE BASIC COMPACT SERIES CONTROL DEVICES CAN BE ASSEMBLED WITH ALL THE PRESTIGE LINE RANGE OF FRONT FRAMES, WITH THE EXCEPTION OF MODELS KC9300 AND KC9302.

For further details please see www.sonelco.com